



NU-FLAME

MODERN TECHNOLOGY
TRADITIONAL VALUES

Affordable quality, attention to detail, low running costs, made in the UK.

For nearly 30 years Nu-Flame has brought together the very best of British Innovation, Design and Engineering to give our customers a range of quality gas fires with the authentic look of a traditional flame. The Nu-Flame range is available only from specially selected fireplace showrooms offering unrivalled customer service. These knowledgeable and friendly local stockists will give you all the necessary advice to help you choose a Nu-Flame fire to suit your individual requirements.

Nu-Flame, a family run business, has invested heavily in our own state of the art factory in Surrey. Unlike some companies, we choose to manufacture all of our fires here in the UK and this enables us to ensure that your fire is built to the highest standards as well as allowing us to react quickly to any changes in the marketplace.

Great design is at the heart of everything we do. Nu-Flame fires combine the latest technologies with tradition and contemporary trends and certainly stand out from the crowd.

Bring a sense of elegance and luxury to the heart of your home. Choose Nu-Flame.



Nu-Flame fires come with a 5 year peace of mind option... ask your stockist for details.

For a reasonable one off payment, the warranty on your Nu-Flame fire can be extended to 5 years. Your stockist can advise you of the current rates.

Q. Why is the Nu-Flame extended warranty option better than other manufacturers' long term guarantees?

A. Our offer represents much better value for money, without hidden terms and conditions that are likely to void your warranty after the first year, or, if followed, can cost you considerably more than the purchase price of the fire.

Nu-Flame would like to thank Capital Fireplaces for supplying some of the fireplaces used in this brochure, also thanks to Glasswells (World of Furniture) 01473 622422 for kindly lending us furniture.

Photography, Design and Production by TPW Graphics Ltd www.tpwgraphics.co.uk

All measurements in this brochure are in mm and are approximate. Dimensions are for general information only. Full details, for fireplace construction purposes, are available from your Nu-Flame stockist.

CONTENTS

Page

Information	3
GLASS FRONTED HIGH EFFICIENCY FIRES	
Vitesse CF	4 - 9
Vitesse Balanced Flue	10 - 15
Veo Balanced Flue - Slimline	16 - 21
Fenton Balanced Flue - Outset Stove	22 - 23
OPEN FRONTED HIGH EFFICIENCY FIRES	
Energis Hotbox	24 - 27
Energis Ultra	28 - 31
Energis Slimline Ultra	32 - 35
Energis Vista+	36 - 39
Energis Slimline Vista+	40 - 43
OPEN FRONTED DECORATIVE FIRES	
Evolution Plus Tapered & Made to Measure Burners	44
The Fireboxx Burner	45
GENERAL	
Frames	46
Frets	47
Technical Information	48 - 50
Controls & Flue Types	51
Contact Details	52



BRITISH MADE



Every Nu-Flame fire is built to ISO 9001 and CE quality standards.

Why choose gas for your fire?

Gas is convenient, easy to use, totally reliable and clean. It is also better for the environment and your pocket! With running costs that are almost half that of an equivalent electric fire or wood burning stove and without any mess or storage issues!

For controllability of your room temperature, and running costs, a high efficiency gas fire is without equal. From simple manual controls to high level 'touch' controls and on to full remote control ... it really could not be easier.

Why choose Nu-Flame?

British Jobs, British Built, British Quality ...

Manufacturing the most innovative gas fires on the market, Nu-Flame leads the way with industry beating efficiencies, low running costs, aesthetic appeal and the widest range of open fronted, high efficiency fires available. Traditional, classic, contemporary or modern; we have a solution for every demand.

Less gas in - more heat out!

As a family run British business we strive to design fires with the style and performance to meet the needs of you and your family. We are innovators in the field of fuel effect gas fires and have utilised our industry leading knowledge to produce a range that features greater heat outputs with lower running costs and higher efficiencies. With our wide choice of stylish designs and leading heat outputs, a Nu-Flame fire can be an important element in enabling you to reduce your carbon footprint and so protect the future of our planet.

By choosing a Nu-Flame High Efficiency Gas Fire, instead of a less efficient alternative, you will use less gas to heat your room and the carbon emissions will be lower.



Vitesse



Energis Hotbox



Energis Ultra

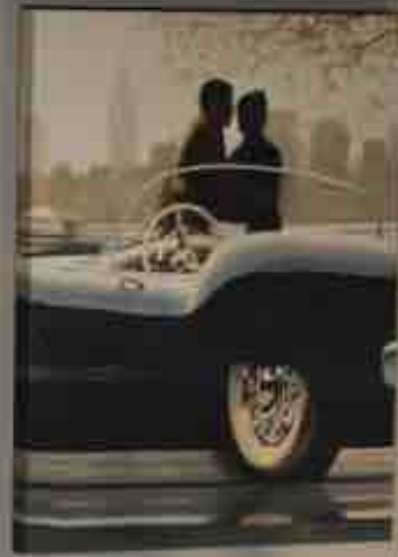


Fenton Balanced Flue



Energis Slimline Vista+

Vitesse CF



Vitesse CF with Satin Black Modern frame and Black/Polished Stainless Silhouette Trim



Vitesse CF with Satin Black Contemporary frame and Black/Brass Silhouette Trim

The Nu-Flame Vitesse CF is a versatile, high efficiency, glass fronted convector fire for use in any home with a chimney. With a wide choice of trims and finishes the Vitesse CF can be used in a fireplace or as a Hole in the Wall centrepiece. The Vitesse CF provides stunning good looks along with a superb efficiency and is the ideal choice if you want a very hot, great looking fire.



Vitesse CF Fuel Bed

Please note that the Vitesse CF fuel bed is different to that of the Balanced Flue model

Vitesse CF

Specification for all Vitesse CF Models

GLASS FRONTED

CONTROLS

Manual, 2 Button High Level,
3 Button Fully Sequential High Level
or Fully Sequential Remote Control

EFFICIENCY

Efficiency Class 1
88% Net (Natural Gas)
Energy Efficiency Class E

Efficiency Class 1
86.4% Net (Propane)
Energy Efficiency Class D

HEAT OUTPUT

4.44kW (Natural Gas)
4.17kW (Propane)

VENTILATION

Not required

INTERIOR

Plain Black

FUEL BED

Coal effect

FLUE TYPE

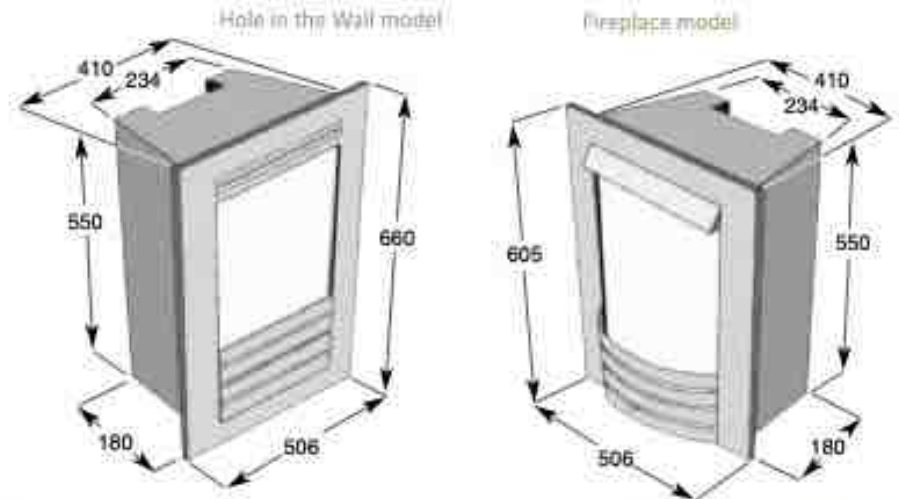
Class 1 or 2, Pre-Cast

Our efficiency & output figures are the results of tests to BS7977-1:2009+A1:2013. Please see page 50 for further details.



Vitesse CF

Modern & Contemporary Trim



Vitesse CF Hole in the Wall model with Two-Tone Modern Trim and Marfil Outer Frame

With its clean lines the Modern Trim, shown above, features a flat ashpan cover and open louvres above the flames. The Contemporary Trim, shown to the right, features an elegant bowed ashpan cover and a hood above the viewing window. Both of these trims are available as Fireplace models and Hole in the Wall models.

Finishes available for Vitesse Fireplace and Hole in the Wall models:

Modern Trim (Flat):

Brushed Stainless, Two-Tone, Satin Black

Contemporary Trim (Curved):

Brushed Stainless, Two-Tone, Satin Black,
Antique Gold, Gun Metal

Outer Frame finishes - Hole in the Wall models:

Lacquered Brushed Stainless, Satin Black, Holographic
Black, Marfil Stone, Gun Metal

Size 684 x 834



Vitesse CF with Brushed Stainless Contemporary Trim



Vitesse CF

Royale

Vitesse CF Royale with Satin Black hooded frame and Horizon Black fret



Vitesse CF Royale with Satin Black hooded frame, Polished Stainless Flat Trim and Horizon Chrome fret



Vitesse CF Royale with Satin Black hooded frame, Black/Brass Silhouette Trim and Traditional Brass/Black fret



Vitesse CF Royale with Satin Black hooded frame, Flat Polished Stainless Steel Trim and Traditional Chrome/Black fret

The Vitesse CF Royale is suitable for most flue types including some pre-cast flues. Available for use with either Natural Gas or Propane, and with no less than four control options, versatile describes this fire perfectly! With a wide range of finishes and frets, the Vitesse CF Royale is the ideal fire when looking for traditional styling combined with the latest technology and glass fronted efficiency.

Frame options:

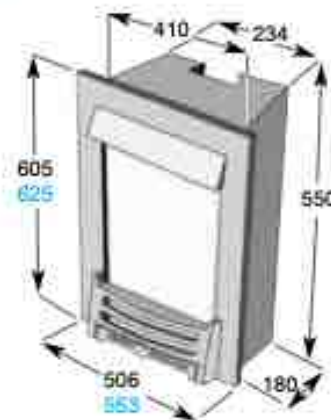
Brushed Stainless frame, Satin Black frame
Choice of open louvres or built-in hood above the viewing window

Optional Trims (to go over frame):

Black/Brushed Stainless Silhouette Trim, Black/Polished Stainless Silhouette Trim, Black/Brass Silhouette Trim
Polished Stainless Flat Trim, Brass Flat Trim

Frets (to suit The Vitesse CF Royale):

Horizon Chrome, Horizon Brushed, Horizon Antique, Horizon Black, Traditional Brass/Black (18"), Traditional Chrome/Black (18")



Fireplace model



Vitesse CF Royale with Satin Black louvered frame, Black/Polished Stainless Silhouette Trim and Traditional Chrome/Black fret

Flat frame dimensions shown in black
Optional Silhouette Trim and Flat Trim dimensions shown in blue

Efficiency 88%

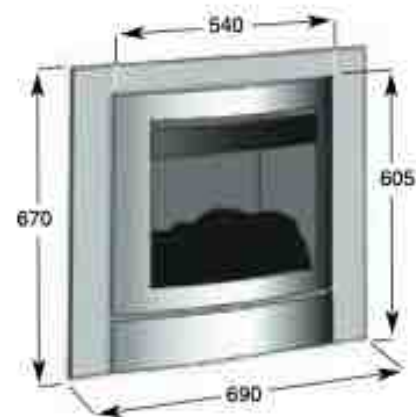
Glass Fronted



Vitesse CF

Arc Trim

Measurements of visible parts only are shown.
For further measurements please see page 6.



Fireplace model



Hole in the Wall model

Vitesse CF with Lacquered Brushed Stainless Steel Arc Trim

Simplicity is the key to great design and the Arc Trim exemplifies this beautifully! It uniquely manages to combine both contemporary looks and a traditional feel. Regardless of the setting, the Vitesse CF with the Arc Trim will give you our highest efficiency glass fronted fire with the best of British design.

The fireplace version of the Arc Trim can be used without an Outer Frame, as shown above, or with an Outer Frame as shown on page 31.

Arc Trim finishes Fireplace & Hole in the Wall models:
Lacquered Brushed Stainless, Noir, Phosphorus

Outer Frame finishes for Arc Trim Fireplace & Hole in the Wall models:
Lacquered Brushed Stainless, Satin Black



Vitesse CF Hole in the Wall model with Brushed Stainless Arc Trim and Satin Black Outer Frame



Vitesse CF Standen Inset Stove with Chrome Plated handle

The Vitesse CF Standen Inset Stove offers you the traditional look of a coal burning inset stove but with cheaper running costs and the cleanliness and controllability of gas! For instant heat, stunning good looks and the assurance of ground breaking technology coupled with the benefits of glass fronted efficiency, the Vitesse Standen Inset Stove is truly in a league of its own!

The Standen Inset Stove is finished in textured jet black with the option of either a chrome plated or black handle.

Vitesse CF

Standen Inset Stove

FINISH

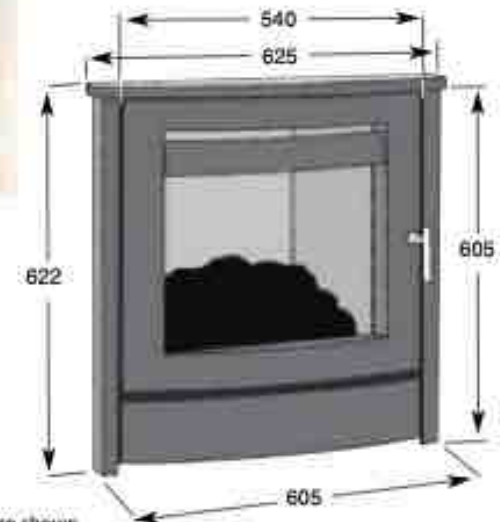
Textured Jet Black

HANDLES

Chrome Plated or
Black

FUEL BED

Coal effect



Measurements of visible parts only are shown.
For further measurements please see page 6.

Efficiency 88%

Glass Fronted

Vitesse
Balanced Flue





Vitesse Balanced Flue Hole in the Wall model with Two-Tone Contemporary Trim & Marfil Stone effect Outer Frame.

For homes without a chimney but with a suitable outside wall, the Vitesse Balanced Flue is available with the same high quality frame and trim options as the Vitesse CF.



Vitesse Balanced Flue Fuel Bed
Please note that the Balanced Flue fuel bed is different to that of the CF model

Our efficiency & output figures are the results of tests to BS EN 613. Please see page 30 for further details.

*When used with Thermostatic Remote Control
All other Controls Class C

Vitesse Balanced Flue

Specification for all Vitesse Balanced Flue Models

GLASS FRONTED

CONTROLS

Manual, 2 Button High Level,
3 Button Fully Sequential High Level,
Fully Sequential Remote Control or
Thermostatic Remote Control

EFFICIENCY

Efficiency Class 1
90% Net (Natural Gas)
Energy Efficiency Class B*

Efficiency Class 1
89.4% Net (Propane)
Energy Efficiency Class B*

HEAT OUTPUT

4.38kW (Natural Gas)
4.27kW (Propane)

VENTILATION

Not required

INTERIOR

Plain Black

FUEL BED

Coal or Pebble effect

BALANCED FLUE

Minimum flue length 93mm (minimum installation
depth 308mm**)
Maximum flue length 850mm (maximum installation
depth 1065mm**)

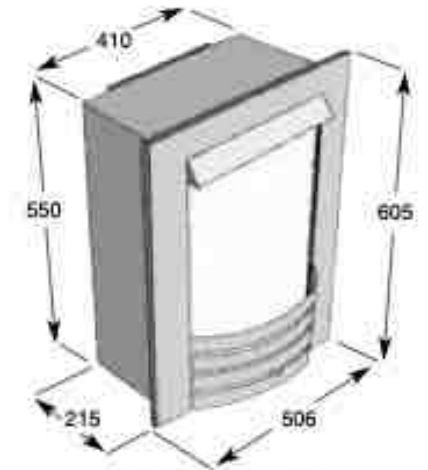
**Installation depth is from the face of the outside wall to the front
face of the back panel or mounting frame of the fire.



Vitesse

Balanced Flue

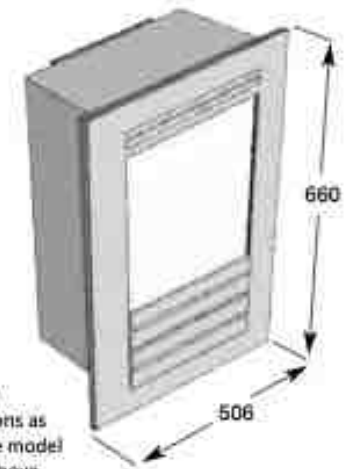
Modern & Contemporary Trim



Fireplace model



Vitesse Balanced Flue with Satin Black Contemporary Trim



All other dimensions as Fireplace model shown above

Hole in the Wall model

Vitesse Balanced Flue with Two-Tone Modern Trim

With its clean lines the Modern Trim, shown above, features a flat ashpan cover and open louvres above the flames. The Contemporary Trim, shown to the right, features an elegant bowed ashpan cover and a hood above the viewing glass. Both of these trims are available as Hole in the Wall models.

Finishes available for Vitesse Fireplace and Hole in the Wall models:

Modern Trim (Flat):

Brushed Stainless, Two-Tone, Satin Black

Contemporary Trim (Curved):

Brushed Stainless, Two-Tone, Satin Black, Antique Gold, Gun Metal

Outer Frame finishes - Hole in the Wall models:

Lacquered Brushed Stainless, Satin Black, Holographic Black, Marfil Stone, Gun Metal
Size 684 x 834



Vitesse Balanced Flue Royale with Satin Black hooded frame, Black/Brass Silhouette Trim and Traditional Brass/Black fret

The Vitesse Balanced Flue Royale offers a wide range of colours, finishes and frets. It is ideal for homes without a chimney, but with a suitable external wall, where style and design are as important as efficiency and high heat output.

Frame options:

Brushed Stainless frame, Satin Black frame
Choice of open louvres or built-in hood above the viewing window.

Optional Trims (to go over Satin Black frame):

Black/Brushed Stainless Silhouette Trim, Black/Polished Stainless Silhouette Trim, Black/Brass Silhouette Trim, Polished Stainless Flat Trim, Brass Flat Trim

Frets (to suit The Vitesse Balanced Flue Royale)

Horizon Chrome, Horizon Brushed, Horizon Antique, Horizon Black, Traditional Brass/Black (18"), Traditional Chrome/Black (18")



Vitesse Balanced Flue Royale with Satin Black hooded frame, Flat Brass Trim and Horizon Black fret

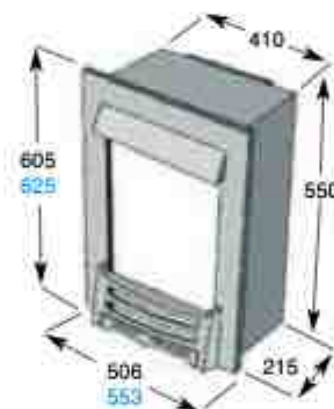
Vitesse Balanced Flue Royale with Brushed Stainless hooded frame and Horizon Satin Steel fret



Vitesse Balanced Flue Royale with Satin Black hooded frame, Flat Brass Trim and Horizon Antique fret



Vitesse Balanced Flue Royale with Satin Black louvred frame, Flat Polished Stainless Trim, and 18" Traditional Chrome/Black fret.



Fireplace model

Flat frame dimensions shown in black
Optional Silhouette Trim and Flat Trim dimensions shown in blue

Efficiency 90%

Glass Fronted



Vitesse Balanced Flue with Phosphorus Arc Trim

Our Arc Trim is designed to impress and is engineered to the highest standards. When used with our high efficiency Vitesse Balanced Flue the flawless lines of the Arc Trim will bring sophistication and warmth to any room, making it the ultimate place to relax.

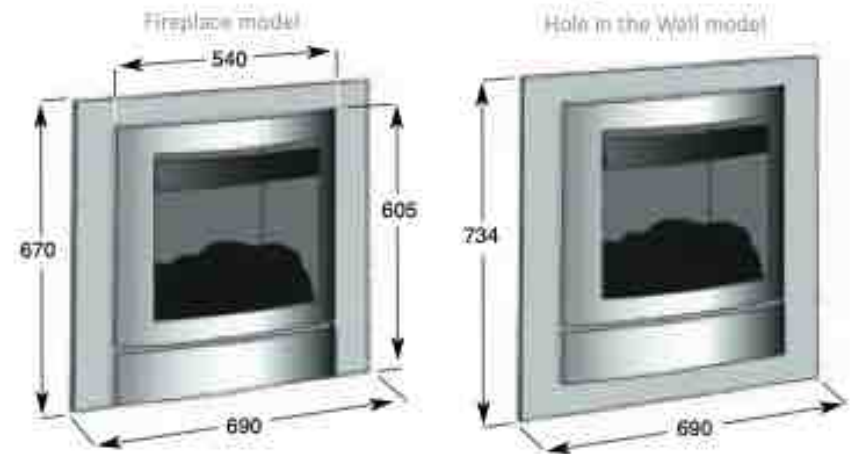
The fireplace version of the Arc Trim can be used without an Outer Frame, as shown above, or with an Outer Frame as shown on page 31.

Arc Trim finishes Fireplace & Hole in the Wall models:
Lacquered Brushed Stainless, Noir, Phosphorus

Outer Frame finishes for Arc Trim Fireplace & Hole in the Wall models:
Lacquered Brushed Stainless, Satin Black

Vitesse Balanced Flue Arc Trim

Measurements of visible parts only are shown.
For further measurements please see page 12.





Vitesse Balanced Flue Standen Inset Stove with Chrome Plated handle

Reduced running costs with greater efficiency! The beautifully crafted Vitesse Balanced Flue Standen Inset Stove boasts a superb 90% efficiency, and with no reliance on electricity, peace of mind comes as standard.

Its clean, modern design gives the look of a contemporary inset stove but with all the ease, controllability and cleanliness of a modern gas fire.

A special feature of the Vitesse Balanced Flue range is the availability of an 850mm long flue. In addition to catering for extra deep wall installations the optional extra-long flue opens up the possibility of bringing the beauty of flame back to a fireplace with an unusable chimney (subject to the fireplace being on an outside wall).

Vitesse

Balanced Flue

Standen Inset Stove

FINISH

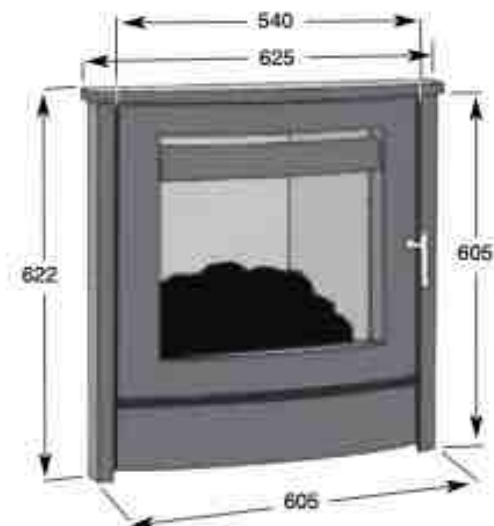
Textured Jet Black

HANDLES

Chrome Plated or Black

FUEL BED

Coal or Pebble effect



Measurements of visible parts only are shown. For further measurements please see page 12.

Efficiency 90%

Glass Fronted

Veo Balanced Flue *Slimline*





Veo Balanced Flue with Satin Black Modern frame and Black/Brass Silhouette Trim



Dark Log Fuel Bed



Coal Fuel Bed



Silver Birch Fuel Bed

Patent pending

Our efficiency & output figures are the results of tests to BS EN 613. Please see page 50 for further details.

* When used with Thermostatic Remote Control
All other controls Class D

Veo Balanced Flue Slimline

Specification for all Veo Balanced Flue Models

GLASS FRONTED

CONTROLS

Manual, 2 Button High Level,
3 Button Fully Sequential High Level,
Fully Sequential Remote Control or
Thermostatic Remote Control

EFFICIENCY

Efficiency Class 1
87.6% Net (Natural Gas)
Energy Efficiency Class C*

Efficiency Class 1
87% Net (Propane)
Energy Efficiency Class C*

HEAT OUTPUT

3.4kW (Natural Gas)
3.26kW (Propane)

VENTILATION

Not required

INTERIOR

Plain Black or Reflective Black Glass

FUEL BED

Coal, Dark Log or Silver Birch effect

BALANCED FLUE

Minimum flue length 93mm (minimum installation
depth 253mm**)
Maximum flue length 500mm (maximum installation
depth 660mm**)

**Installation depth is from the face of the outside wall to the front
face of the back panel or mounting frame of the fire.

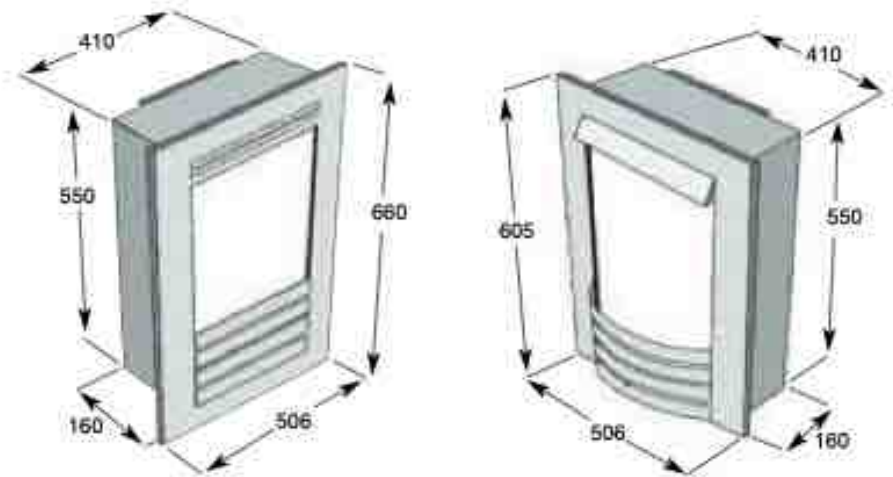
Efficiency 87.6%

Glass Fronted



Veo Balanced Flue Slimline

Modern & Contemporary Trim



Veo Balanced Flue Hole in the Wall model with Satin Black Modern Trim and Marfil Stone effect Outer Frame

With its clean lines the slimline Veo Balanced Flue with Modern Trim, shown above, features a flat ashpan cover and discreet louvres above the viewing window. The Contemporary Trim, shown to the right, features an elegant bowed ashpan cover with a neatly designed built-in hood above the viewing glass. Both the Modern and Contemporary Trims are available for fireplace or Hole in the Wall applications.

Finishes available for Veo Fireplace and Hole in the Wall models:

Modern Trim (Flat):

Brushed Stainless, Two-Tone, Satin Black

Contemporary Trim (Curved):

Brushed Stainless, Two-Tone, Satin Black,
Antique Gold, Gun Metal

Outer Frame finishes - Hole in the Wall models:

Lacquered Brushed Stainless, Satin Black, Holographic
Black, Marfil Stone, Gun Metal

Size 684 x 834

Veo Balanced Flue with Two-Tone Contemporary Trim,
Reflective Black Glass lining and Silver Birch fuel effect





Veo Balanced Flue Royale with Satin Black hooded Frame, Black/Polished Stainless Silhouette Trim and Traditional Chrome/Black fret



Veo Balanced Flue Royale with Satin Black hooded Frame, Brass Flat Trim and Horizon Antique fret



Veo Balanced Flue Royale with Satin Black hooded Frame, Polished Stainless Flat Trim and Horizon Chrome fret



Veo Balanced Flue Royale with Satin Black louvred Frame Black/Brass Silhouette Trim, Traditional Brass/Black fret, Reflective Black Glass lining and Dark Log fuel effect



Veo Balanced Flue Royale with Satin Black louvred Frame, Polished Stainless Flat Trim and Traditional Chrome/Black fret

For homes without a chimney, but with a suitable external wall, the slimline Veo Balanced Flue Royale offers glass fronted efficiency with a wide range of fret and frame options. Versatility and flair combining effortlessly!

Frame options:

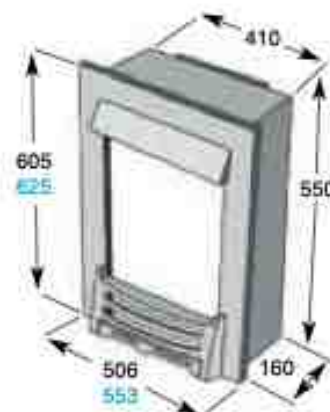
Brushed Stainless frame, Satin Black frame
Choice of open louvres or built-in hood above the viewing window

Optional Trims (to go over Satin Black frame):

Black/Brushed Stainless Silhouette Trim, Black/Polished Stainless Silhouette Trim, Black/Brass Silhouette Trim, Polished Stainless Flat Trim, Brass Flat Trim

Frets (to suit the Veo Balanced Flue Royale)

Horizon Chrome, Horizon Brushed, Horizon Antique, Horizon Black, Traditional Brass/Black (18"), Traditional Chrome/Black (18")



Fireplace model

Flat frame dimensions shown in black
Optional Silhouette Trim and Flat Trim dimensions shown in blue

Efficiency 87.6%

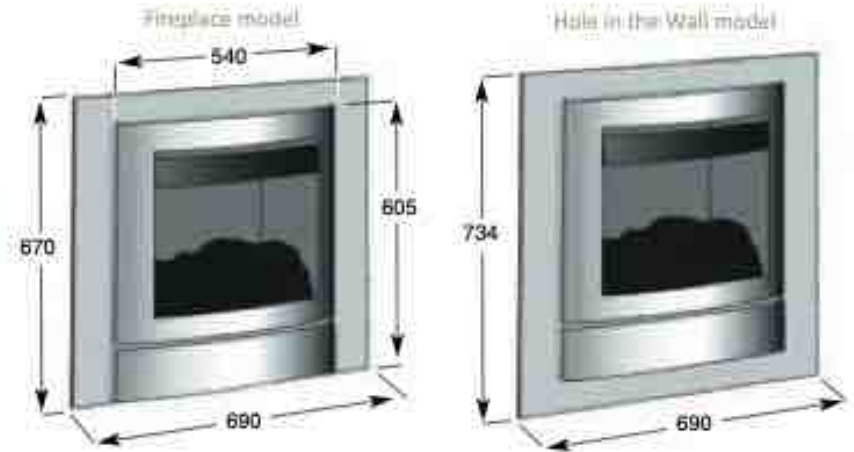
Glass Fronted



Veo Balanced Flue Slimline

Arc Trim

Measurements of visible parts only are shown.
For further measurements please see page 18.



Veo Balanced Flue with Noir Arc Trim

Designed to impress and engineered to the highest standards, the slimline Veo Balanced Flue with Arc Trim offers a modern touch while retaining a traditional feel. The Fireplace version, as shown above, can be installed with or without any of our optional outer frames.

The Hole in the Wall version must always be installed with one of our outer frame options or a set of granite, marble or stone slips.

Arc Trim finishes Fireplace & Hole in the Wall models:
Lacquered Brushed Stainless, Noir, Phosphorus

Outer Frame finishes for Arc Trim Fireplace & Hole in the Wall models:
Lacquered Brushed Stainless, Satin Black



Veo Balanced Flue Hole in the Wall model with Lacquered
Brushed Stainless Arc Trim and Satin Black Outer Frame.



Veo Balanced Flue with Standen Inset Stove Frame, Chrome Plated Handle and Dark Log effect.

With its clean modern design the slimline Veo Balanced Flue Standen Inset Stove achieves the look and feel of a contemporary inset stove but with all the ease, controllability and cleanliness of a modern, efficient gas fire.

Reduced running costs with greater efficiency and an impressive heat output! All without having to constantly load the stove!

Veo Balanced Flue Slimline

Standen Inset Stove

FINISH

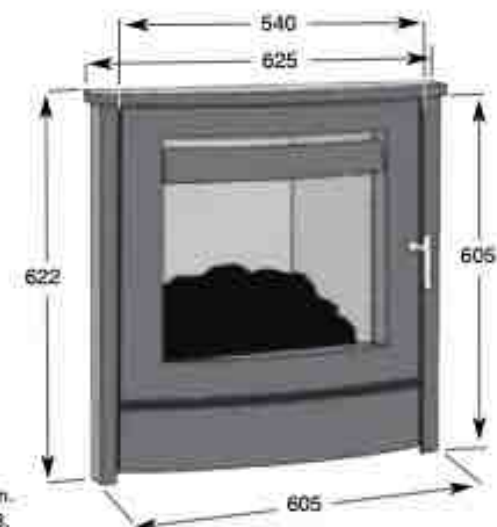
Textured Jet Black

HANDLES

Chrome Plated or
Black

FUEL BED

Coal, Dark Logs or Silver Birch Effect



Measurements of visible parts only are shown.
For further measurements please see page 18.

Efficiency 87.6%

Glass Fronted

***Fenton* Balanced Flue**

Outlet Stove



Fenton Balanced Flue Outlet Stove with Chrome Plated Handle, Reflective Black Glass Lining and Silver Birch Log Effect



The Fenton Balanced Flue brings a new dimension to the Nu-Flame range. Standing proudly on any suitable hearth, the Fenton Balanced Flue has the option of three stunning fuel beds: Coals, Dark Log or Silver Birch Effect. For even greater visual depth and realism it is possible to upgrade from the standard black ceramic lining to our new reflective black glass lining. Whatever chosen option, the Fenton Balanced Flue will turn any house into a home!



FINISH
Textured Jet Black

HANDLES
Chrome Plated or Black



Dark Log Fuel Bed



Coal Fuel Bed



Silver Birch Fuel Bed

Our efficiency & output figures are the results of tests to BS EN 613. Please see page 50 for further details.

* When used with Thermostatic Remote Control
All other controls Class D

Fenton Balanced Flue

Outset Stove

GLASS FRONTED

CONTROLS

Manual, Fully Sequential Remote Control or Thermostatic Remote Control

EFFICIENCY

Efficiency Class 1
87.6% Net (Natural Gas)
Energy Efficiency Class C*

Efficiency Class 1
87% Net (Propane)
Energy Efficiency Class C*

HEAT OUTPUT

3.4kW (Natural Gas)
3.26kW (Propane)

VENTILATION

Not required

INTERIOR

Plain Black or Reflective Black Glass

FUEL BED

Coal, Dark Log or Silver Birch effect

BALANCED FLUE

Minimum flue length 93mm (minimum installation depth 93mm**)

Maximum flue length 500mm (maximum installation depth 500mm**)

Patent pending

**Installation depth is from the face of the outside wall to the front face of the back panel or mounting frame of the fire.

Efficiency 87.6%

Glass Fronted

Energis Hotbox





Energis Hotbox with Black/Antique Cast frame and Traditional Antique/Black fret

Be inspired by our fires, create the style you've always dreamed of. The Energis Hotbox from Nu-Flame features a completely open front and full depth fuel bed for maximum realism to enhance any room. The Energis Hotbox is distinctively individual, unique in its design, giving a natural realistic effect with a superb efficiency of 67.9%. A fire that will exceed your expectations.

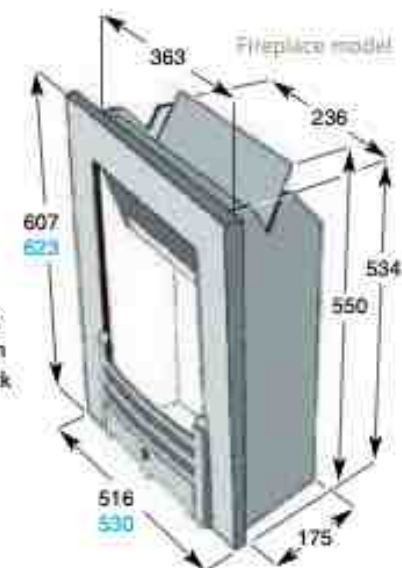
3 Sided frame finishes *Fireplace models only*

Choose from **Flat**, **Silhouette** or **Cast** styles, in a choice of beautiful finishes. See pages 46 and 47 for the full frame and fret selection.

Energis Hotbox



Energis Hotbox with Satin Black Flat frame and Novello Black fret



Flat frame,
Silhouette frame &
Contemporary Trim
sizes shown in black
Cast frame sizes
shown in blue

Efficiency 67.9%

Open Fronted



Energis Hotbox with Satin Black Contemporary Trim

Contemporary Trim finishes

Fireplace & Hole in the Wall models:

Brushed Stainless, Lacquered Brushed Stainless, Satin Black, Holographic Black, Antique Gold, Gun Metal

Outer Frame finishes for Contemporary Trim

Hole in the Wall models:

Lacquered Brushed Stainless, Satin Black, Holographic Black, Marfil Stone, Gun Metal
Size 684 x 834

Energis Hotbox

Contemporary Trim

OPEN FRONTED

CONTROLS

Manual, 2 Button High Level,
3 Button Fully Sequential High Level
or Fully Sequential Remote Control

EFFICIENCY

Efficiency Class 3

67.9% Net (Natural Gas)
Energy Efficiency Class F

Efficiency Class 2

67.2% Net (Propane)
Energy Efficiency Class F

HEAT OUTPUT

4.25kW (Natural Gas)
4.25kW (Propane)

VENTILATION

Not normally
required

INTERIOR

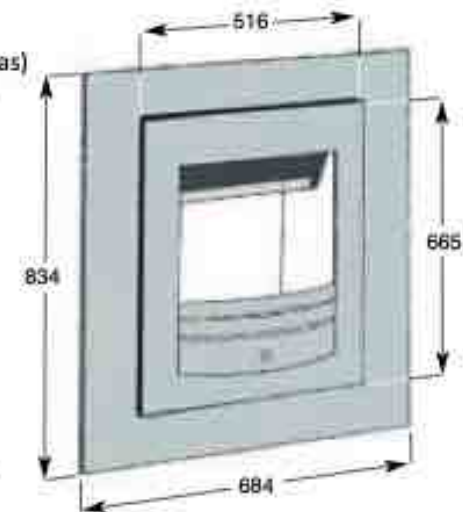
Plain black

FUEL BED

Coal effect
Coal and Coke flame
settings on Natural Gas
models

FLUE TYPES

Class 1 or 2,
Pre-Cast



Hole in the Wall model

Measurements of visible parts only are shown. For further measurements or for fireplace model see page 25.



Energis Hotbox with Noir Arc Trim

This fire is a statement piece, adding a touch of style with the warmth you would expect from an output of 4.25kW.

The Energis Hotbox can be used with our Arc Trim in a fireplace, giving a modern touch to an already realistic flame.

The fireplace version of the Arc Trim can be used without an Outer Frame, as shown above, or with an Outer Frame as shown on page 31.

Arc Trim finishes Fireplace & Hole in the Wall models:
Lacquered Brushed Stainless, Noir, Phosphorus



Energis Hotbox Hole in the Wall with Lacquered Brushed Stainless Arc Trim and Lacquered Brushed Stainless Outer Frame

Outer Frame finishes for Arc Trim Fireplace & Hole in the Wall models:
Lacquered Brushed Stainless, Satin Black

Energis Hotbox

Arc Trim



Fireplace model



Hole in the Wall model

Measurements of visible parts only are shown. For further measurements please see page 25.

Efficiency 67.9%

Open Fronted

Energis
Ultra





Energis Ultra convector with Brushed Stainless Flat frame and Novello Brushed fret

The Energis Ultra convector has an efficiency of 77% and heat output of 4.82kW, which are phenomenal figures for an open fronted fire. The fact that we have accomplished this without compromise to the classic styling of the fire is another achievement altogether. With a superb choice of frames, frets and finishes the Energis Ultra can be configured to complement any style of room.

3 Sided frame finishes *Fireplace models only:*

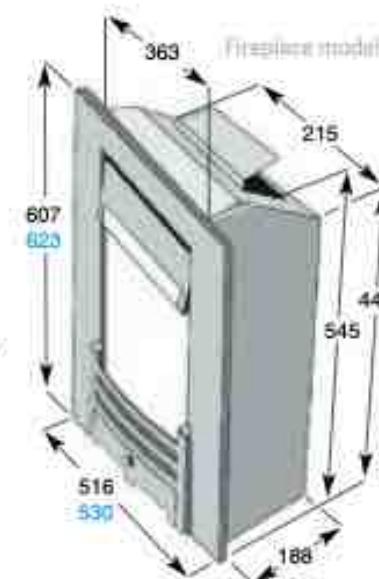
Choose from **Flat**, **Silhouette** or **Cast** styles, in a choice of beautiful finishes. See pages 46 and 47 for the full frame and fret selection.

GB Patent

Energis Ultra



Energis Ultra with Brass Flat frame and Lyric Antique fret



Flat frame,
Silhouette frame &
Contemporary Trim
sizes shown in black
Cast frame sizes
shown in blue

Our efficiency & output figures are the results of tests to BS7977-1:2009+A1:2013. Please see page 50 for further details.

Efficiency 77%

Open Fronted

Energis Ultra

Contemporary Trim

OPEN FRONTED

CONTROLS

Manual, 2 Button High Level,
3 Button Fully Sequential High Level
or Fully Sequential Remote Control

EFFICIENCY

Efficiency Class 1
77.0% Net (Natural Gas)
Energy Efficiency Class E

Efficiency Class 1
77.0% Net (Propane)
Energy Efficiency Class E

HEAT OUTPUT

4.82kW (Natural Gas)
4.81kW (Propane)

VENTILATION

Not normally
required

INTERIOR

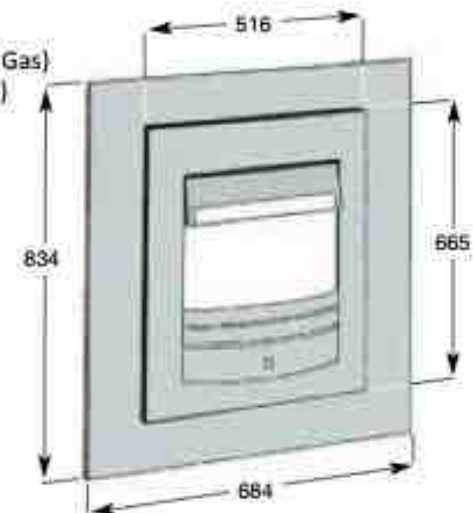
Plain black

FUEL BED

Coal effect
Coal and Coke flame
settings available on
Natural Gas models

FLUE TYPES

Class 1 or 2,
Pre-Cast



Hole in the Wall model



Hole in the Wall Energis Ultra with Lacquered Brushed Stainless Contemporary Trim and Satin Black Outer Frame

Contemporary Trim finishes

Fireplace & Hole in the Wall models:

Brushed Stainless, Lacquered Brushed Stainless, Satin Black,
Holographic Black, Antique Gold, Gun Metal

Outer Frame finishes for Contemporary Trim

Hole in the Wall models:

Lacquered Brushed Stainless, Satin Black, Holographic Black, Marfil Stone, Gun Metal
Size 684 x 834



Energis Ultra with Lacquered Brushed Stainless Contemporary Trim



Energis Ultra with Noir Arc Trim and Satin Black Outer Frame

Available for use with a fireplace or as a Hole in the Wall feature, the Nu-Flame Arc Trim comes in a choice of finishes enabling you to create a perfect complement to your home. When fitted in a fireplace the Arc Trim can be used with an Outer Frame, as shown above, or without an Outer Frame as shown on page 29.

When used with one of our high efficiency open fronted fires, the flawless lines of the Arc Trim will bring sophistication and warmth to any room, making it the ultimate place to relax.

Arc Trim finishes Fireplace & Hole in the Wall models:
Lacquered Brushed Stainless, Noir, Phosphorus

Outer Frame finishes for Arc Trim Fireplace & Hole in the Wall models:
Lacquered Brushed Stainless, Satin Black



Energis Ultra Hole in the Wall with Lacquered Brushed Stainless Arc Trim and Satin Black Outer Frame

Energis Ultra

Arc Trim



Measurements of visible parts only are shown. For further measurements please see page 29.

Efficiency 77%

Open Fronted

Energis
Slimline Ultra





Energis Slimline Ultra with Brushed Stainless Flat frame and Lyric Brushed fret

Transform your home to create something special with our Energis Slimline Ultra. A completely open fronted fire that boasts an impressive net efficiency of 71.6% with an elegant and graceful flame pattern. Our impressive design allows the Energis Slimline Ultra to look surprisingly deep for a slim fire. With a heat output of 4.48kW, it's a smart solution!

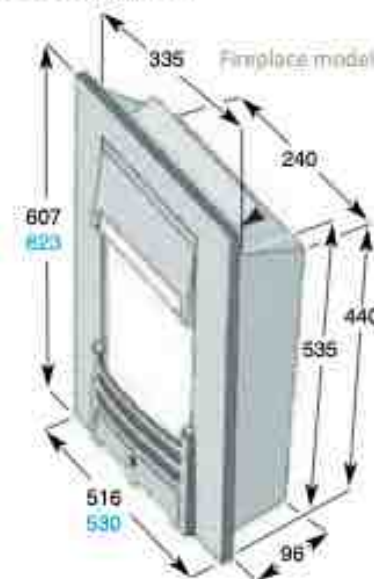
3 Sided frame finishes *Fireplace models only:*

Choose from **Flat**, **Silhouette** or **Cast** styles, in a choice of beautiful finishes. See pages 46 and 47 for the full frame and fret selection.

Energis Slimline Ultra



Energis Slimline Ultra with Black/Brushed Silhouette frame and Traditional Brushed/Black fret



Flat frame,
Silhouette frame &
Contemporary Trim
sizes shown in black
Cast frame sizes
shown in blue

Efficiency 71.6%

Open Fronted



Energis Slimline Ultra with Lacquered Brushed Stainless Contemporary Trim

Contemporary Trim finishes

Hearth & Hole in the Wall models:

Brushed Stainless, Lacquered Brushed Stainless, Satin Black, Holographic Black, Antique Gold, Gun Metal

Outer Frame finishes for Contemporary Trim

Hole in the Wall models:

Lacquered Brushed Stainless, Satin Black, Holographic Black, Marfil Stone, Gun Metal
Size 684 x 834

Energis Slimline Ultra

Contemporary Trim

OPEN FRONTED

CONTROLS

Manual, 2 Button High Level,
3 Button Fully Sequential High Level
or Fully Sequential Remote Control

EFFICIENCY

Efficiency Class 1
71.6% Net (Natural Gas)
Energy Efficiency Class F

Efficiency Class 1
74.5% Net (Propane)
Energy Efficiency Class E

HEAT OUTPUT

4.48kW (Natural Gas)
4.66kW (Propane)

VENTILATION

Not normally
required

INTERIOR

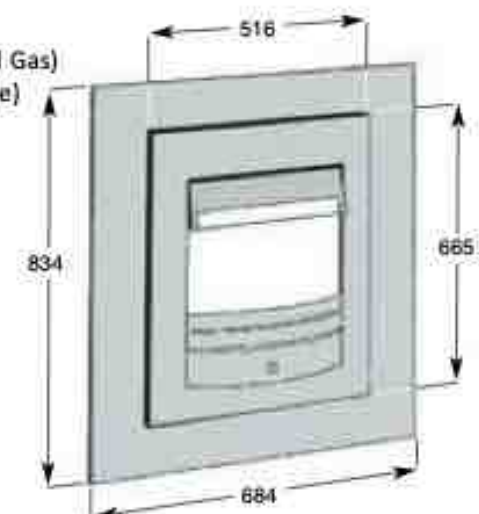
Plain black

FUEL BED

Coal effect
Coal and Coke flame
settings on Natural
Gas models

FLUE TYPES

Class 1 or 2,
Pre-Cast



Hole in the Wall model

Measurements of visible parts only are shown. For further
measurements or for fireplace model see page 33.



Energis Slimline Ultra Hole in the Wall with Noir Arc Trim and Satin Black Outer Frame

Our high quality Arc Trim is clean, simple and stunning. Couple this with the amazingly efficient and visually realistic Energis Slimline Ultra and you have harmony.

Contemporary looks, traditional values and a world leading fire that fits virtually every flue type, the Energis Slimline Ultra with the Arc Trim could just be the fire for you!

The fireplace version of the Arc Trim can be used without an Outer Frame, as shown on the right, or with an Outer Frame as shown on page 23.

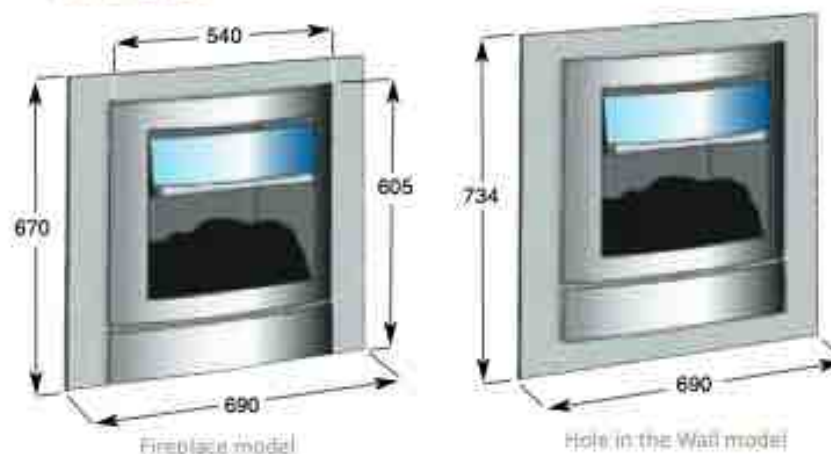
Arc Trim finishes Fireplace & Hole in the Wall models:
Lacquered Brushed Stainless, Noir, Phosphorus

Outer Frame finishes for Arc Trim Fireplace & Hole in the Wall models:
Lacquered Brushed Stainless, Satin Black

Energis Slimline Ultra with Lacquered Brushed Stainless Arc Trim

Energis Slimline Ultra

Arc Trim



Measurements of visible parts only are shown. For further measurements please see page 33.



Efficiency 71.6%

Open Fronted

Energis
Vista+





Energis Vista+ with Polished Stainless Flat frame and Novello Chrome fret

The Energis Vista+ has redefined open fronted fuel effect efficiency and style. The efficiency of 78.6% and heat output of 4.92kW was previously thought to be unattainable on an open fronted fire, but Nu-Flame isn't the kind of company to let its design and development be reined in by narrow thinking. With a wide choice of the highest quality frames and frets the Energis Vista+ gives you elegance, beauty and state of the art technology, all in perfect harmony. Perfection without compromise.

3 Sided frame finishes *Fireplace models only:*

Choose from **Flat**, **Silhouette** or **Cast** styles, in a choice of beautiful finishes. See pages 46 and 47 for the full frame and fret selection.

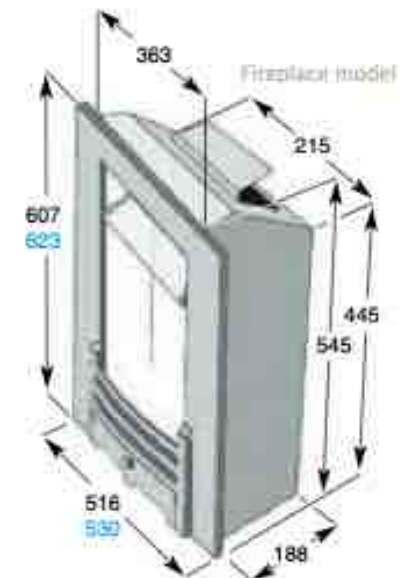
GB Patent

GB Registered Design

Energis Vista+



Energis Vista+ with Black/Brass Silhouette frame and Traditional Antique/Black fret



Flat frame,
Silhouette frame &
Contemporary Trim
sizes shown in black
Cast frame sizes
shown in blue

Efficiency 78.6%

Open Fronted



Energis Vista+ with Satin Black Contemporary Trim

Contemporary Trim finishes

Fireplace & Hole in the Wall models:

Brushed Stainless, Lacquered Brushed Stainless, Satin Black, Holographic Black, Antique Gold, Gun Metal

Outer Frame finishes for Contemporary Trim

Hole in the Wall models:

Lacquered Brushed Stainless, Satin Black, Holographic Black, Marfil Stone, Gun Metal
Size 684 x 834

Energis Vista+

Contemporary Trim

OPEN FRONTED

CONTROLS

Manual, 2 Button High Level,
3 Button Fully Sequential High Level or Fully
Sequential Remote Control

EFFICIENCY

Efficiency Class 1
78.6% Net (Natural Gas)
Energy Efficiency Class E

Efficiency Class 1
78.4% Net (Propane)
Energy Efficiency Class E

HEAT OUTPUT

4.92kW (Natural Gas)
4.80kW (Propane)

VENTILATION

Not normally
required

INTERIOR

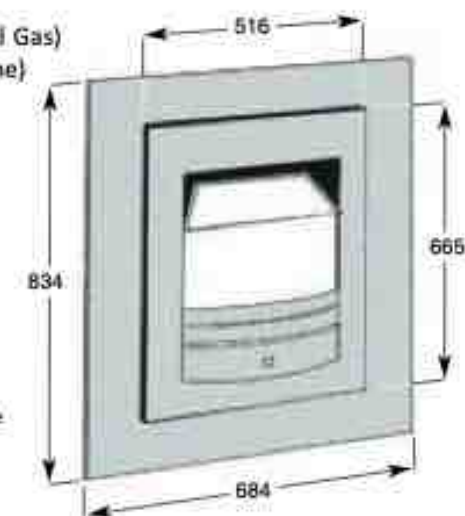
Plain black

FUEL BED

Coal effect
Coal and Coke flame
settings on Natural
Gas models

FLUE TYPES

Class 1 or 2,
Pre-Cast

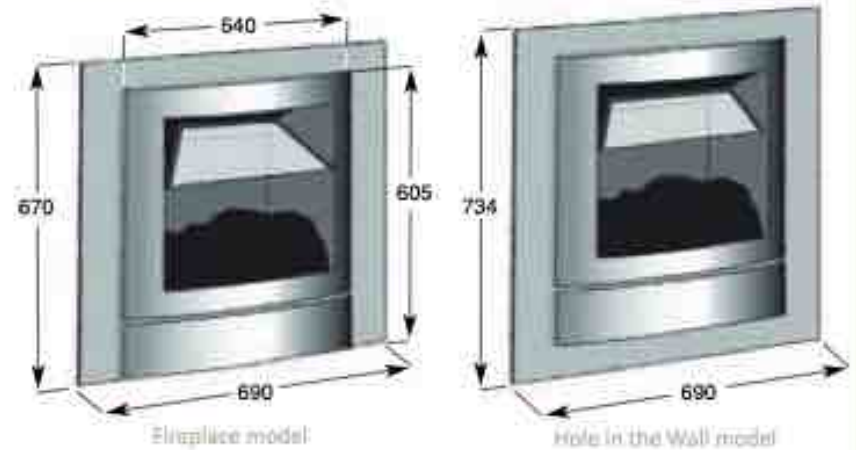


Hole in the Wall model

Measurements of visible parts only are shown. For further
measurements or for fireplace model see page 37.



Energis Vista+ Arc Trim



Measurements of visible parts only are shown. For further measurements please see page 37.

Energis Vista+ Hole in the Wall with Phosphorus Arc Trim and Lacquered Brushed Stainless Outer Frame

With its revolutionary Vu-Tech* glass canopy the Energis Vista+ provides maximum visibility of the glowing fuel bed and flames. When used with our Arc Trim in a fireplace you can achieve the traditional look combined with a very modern twist.

The fireplace version of the Arc Trim can be used without an Outer Frame, as shown on the right, or with an Outer Frame as shown on page 31.

Arc Trim finishes Fireplace & Hole in the Wall models:
Lacquered Brushed Stainless, Noir, Phosphorus

Outer Frame finishes for Arc Trim Fireplace & Hole in the Wall models:
Lacquered Brushed Stainless, Satin Black



Energis
Slimline Vista+





Energis Slimline Vista+ with Brass Flat frame and Novello Antique fret

The Energis Slimline Vista+, creative thinking for inspired living. Our Energis Vista+ range has redefined open fronted fuel effect efficiency and style, giving a sophisticated edge and a touch of luxury. Get the glow and bring your home to life. Available with a wide choice of the highest quality frames and frets to create a focal point for your home. Demand more from your fire, with a net efficiency of 73.7%, the Energis Slimline Vista+ makes no compromise on heat.

3 Sided frame finishes Fireplace models only:

Choose from **Flat**, **Silhouette** or **Cast** styles, in a choice of beautiful finishes. See pages 46 and 47 for the full frame and fret selection.

GB Patent

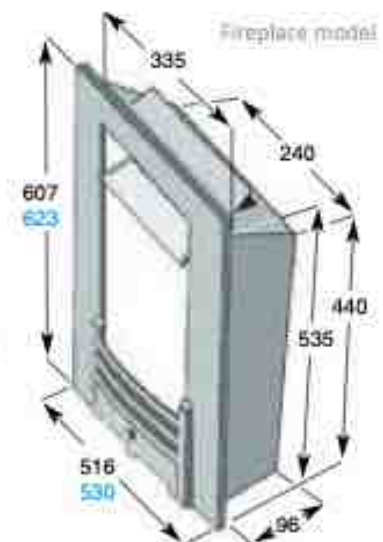
GB Registered Design

Our efficiency & output figures are the results of tests to BS7977-1:2009+A1:2013. Please see page 50 for further details.

Energis Slimline Vista+



Energis Slimline Vista+ with Satin Black Flat frame and Lyric Black fret



Flat frame,
Silhouette frame &
Contemporary Trim
sizes shown in black
Cast frame sizes
shown in blue

Efficiency 73.7%

Open Fronted



Energis Slimline Vista+ with Lacquered Brushed Contemporary Trim

Contemporary Trim finishes

Fireplace & Hole in the Wall models:

Brushed Stainless, Lacquered Brushed Stainless, Satin Black, Holographic Black, Antique Gold, Gun Metal.

Outer Frame finishes for Contemporary Trim

Hole in the Wall models:

Lacquered Brushed Stainless, Satin Black, Holographic Black, Marfil Stone, Gun Metal
Size 684 x 834

Energis Slimline Vista+

Contemporary Trim

OPEN FRONTED

CONTROLS

Manual, 2 Button High Level,
3 Button Fully Sequential High Level or Fully
Sequential Remote Control

EFFICIENCY

Efficiency Class 1
73.7% Net (Natural Gas)
Energy Efficiency Class E

Efficiency Class 1

72.1% Net (Propane)
Energy Efficiency Class F

HEAT OUTPUT

4.61kW (Natural Gas)
4.32kW (Propane)

VENTILATION

Not normally
required

INTERIOR

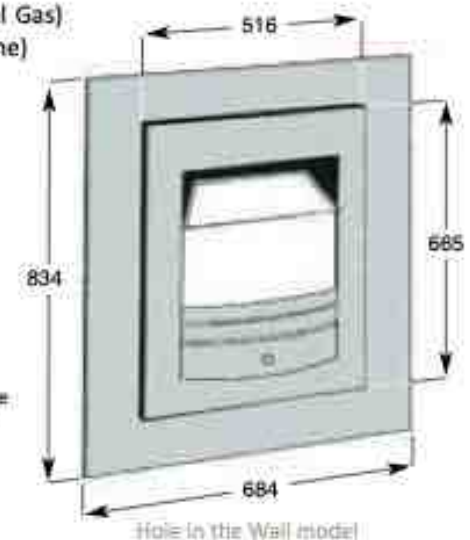
Plain black

FUEL BED

Coal effect
Coal and Coke flame
settings on Natural
Gas models

FLUE TYPES

Class 1 or 2,
Pre-Cast

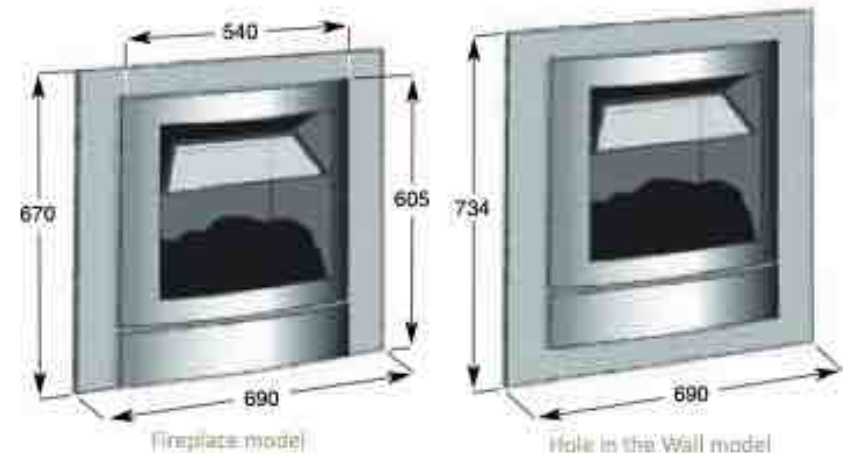


Measurements of visible parts only are shown. For further
measurements or for fireplace model see page 41.



Energis Slimline Vista+

Arc Trim



Measurements of visible parts only are shown. For further measurements please see page 41.

Energis Slimline Vista+ Hole in the Wall with Lacquered Brushed Stainless Arc Trim and Lacquered Brushed Stainless Outer Frame

The Energis Slimline Vista+ hosts our revolutionary and inspirational Vu-Tech * canopy which allows the fuel bed and flames to be shown to their full effect, creating an image that is as revolutionary as it is stunning. When used in conjunction with our Arc Trim in the fireplace, you achieve a traditional feel with a modern touch.

The fireplace version of the Arc Trim can be used without an Outer Frame, as shown on the right, or with an Outer Frame as shown on page 31.

Arc Trim finishes Fireplace & Hole in the Wall models:
Lacquered Brushed Stainless, Noir, Phosphorus

Outer Frame finishes for Arc Trim Fireplace & Hole in the Wall models:
Lacquered Brushed Stainless, Satin Black

* GB Patent

Energis Slimline Vista+ with Noir Arc Trim



Efficiency 73.7%

Open Fronted

43

Tapered Inset Fires

The Evolution Plus inset gas fire from Nu-Flame offers stunning realism, capturing the timeless look of a real fire with all the benefits of clean fuel and a choice of convenient control options.

A high leg version is available for use with many Victorian cast inserts.

Whether with loose random ceramic coals or any of the optional fuel beds, manual or full remote control, the Evolution Plus will bring any fireplace to life.

SIZE

16" or 18"

CONTROLS

Manual, Fully Sequential Wall Switch or Fully Sequential Remote Control

EFFECTS

Coal, Log, Driftwood or Pebble

GAS TYPE

Natural Gas or Propane

FLUE TYPES

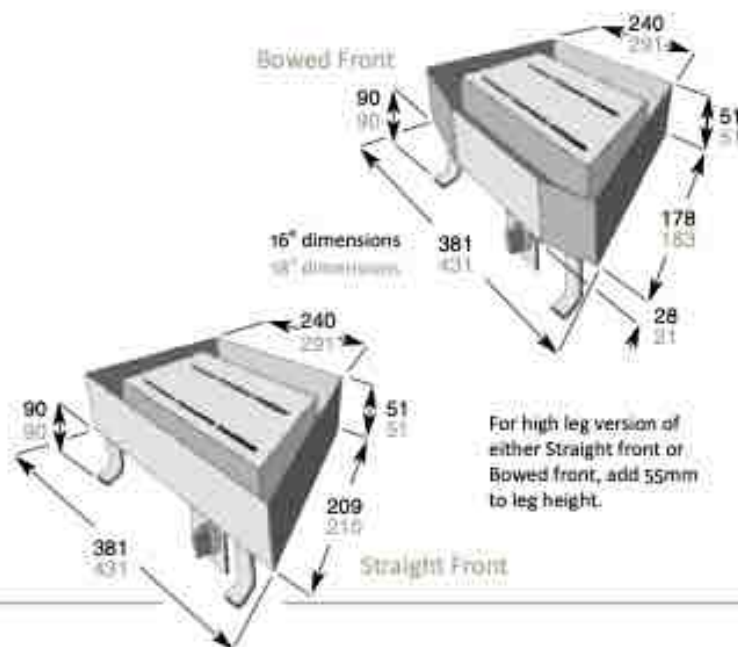
16" and 18" - 6.9kW input Class 1 or 2
18" - 9.3kW input - Class 1 only

VENTILATION

Not normally required on 6.9kW models



16" Tapered Inset burner, with Traditional Antique/Black fret



Evolution Plus Burners

Made to Measure Fires

From hob grates to fire baskets, from arched cast inserts to contemporary sunken burners, our made to measure service can fulfil almost any requirement. All made to measure fires can be offered with a range of control options and the full range of our fuel beds, allowing you to create exactly the right fire, whatever your needs.

CONTROLS

Manual, Fully Sequential Wall Switch or Fully Sequential Remote Control

EFFECTS

Coal, Log, Driftwood, Pebble or Crushed Rock

GAS TYPE

Natural Gas or Propane

FLUE TYPES

Class 1 or 2 subject to size.
Please consult your dealer

VENTILATION

Not normally required on smaller models





F720 Fireboxx with Log fuel effect shown in custom made fireplace

Available in 3 sizes the Fireboxx Burner is designed to enable your Nu-Flame stockist to create a Hole in the Wall fireplace to your own design. A stunning centrepiece in either modern or traditional style, minimalism or an outrageous statement; the choice is very much up to you. From the simplicity of a pure dancing flame to the glow of a coal or log fuel bed or even the contemporary styling of pebbles or driftwood.

CONTROLS

Fully Sequential Remote Control as standard

EFFECTS

Supplied with Crushed Rock firebed as standard. Optional Log, Driftwood or Pebble effects also available

GAS TYPE

F350 Natural Gas Only
F500 and F720 Natural Gas or Propane

The Fireboxx Burner

FLUE TYPES

F350 & F500 Class 1 or 2
F720 Class 1 only

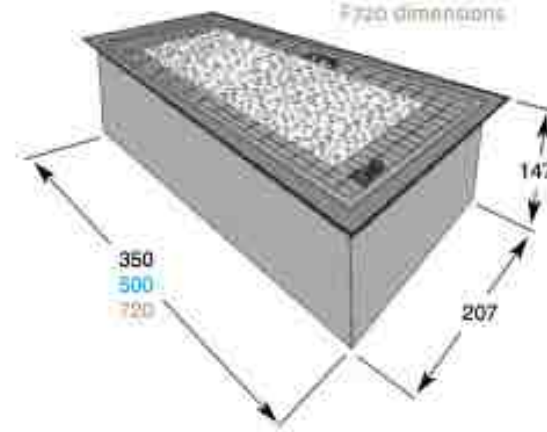
VENTILATION

Not normally required on models F350 & F500

FINISHES

Satin Black or Marfil Stone

F350 and common
dimensions
F500 dimensions
F720 dimensions



Frames

FLAT



Brushed Stainless



Polished Stainless



Satin Black



Brass

SILHOUETTE



Black/Brushed Stainless



Black/Polished Stainless



Black/Brass

CAST



Black/Chrome



Black/Antique

Due to the diversity of materials and processes used in manufacturing of Flat Frames and Plated Cast Frames we cannot guarantee exact colour matches.

NOVELLO 16"



Novello Brushed



Novello Chrome



Novello Black



Novello Antique

TRADITIONAL 16"



Traditional Brushed/Black



Traditional Chrome/Black



Traditional Black



Traditional Antique/Black

LYRIC 16"



Lyric Brushed



Lyric Chrome



Lyric Black



Lyric Antique

Due to the diversity of materials and processes used in manufacturing of cast Frets we cannot guarantee exact colour matches. Please note these frets are not suitable for use with the Vitesse or Veo Royale please refer to pages 7, 13 & 19.

Technical Information

	Vitesse CF		Vitesse Balanced Flue		Veo Balanced Flue		Fenton Balanced Flue		Energis Hotbox	
Model	VTCFN	VTCFL	VTBFN	VTBFL	VOBFN	VOBFL	FBFN	FBFL	EHN	EHL
Gas Type	Nat.Gas	Propane	Nat.Gas	Propane	Nat.Gas	Propane	Nat.Gas	Propane	Nat.Gas	Propane
Control Options	Manual, 2 Button HL, 3 Button HL, Remote Control		Manual, 2 & 3 Button HL, Remote Control, Thermostatic		Manual, 2 & 3 Button HL, Remote Control, Thermostatic		Manual, Remote Control, Thermostatic		Manual, 2 Button HL, 3 Button HL, Remote Control	
Ventilation Required	No*		No		No		No		No*	
Flue Types	Class 1 & 2 Flues & Pre-Cast Flue†		Balanced Flue		Balanced Flue		Balanced Flue		Class 1 & 2 Flues & Pre-Cast Flue†	
Fuel Bed	Coal		Coal, Pebble		Coal, Dark Log, Silver Birch		Coal, Dark Log, Silver Birch		Coal	
Efficiency Class	Class 1	Class 1	Class 1	Class 1	Class 1	Class 1	Class 1	Class 1	Class 2	Class 2
Efficiency	88%	86.4%	90%	89.4%	87.6%	87%	87.6%	87%	67.9%	67.2%
Energy Efficiency Class	C	D	B*	B*	C*	C*	C*	C*	F	F
Max Input Net	5.04kW	4.83kW	4.87kW	4.78kW	3.9kW	3.7kW	3.9kW	3.7kW	6.26kW	6.25kW
Min input Net	1.8kW	1.84kW	1.8kW	1.84kW	1.5kW	1.4kW	1.5kW	1.4kW	2.4kW	2.0kW
Max Heat Output	4.44kW	4.17kW	4.38kW	4.27kW	3.4kW	3.26kW	3.4kW	3.26kW	4.25kW	4.25kW
Min Output	1.3kW	1.3kW	1.35kW	1.35kW	1.2kW	1.1kW	1.2kW	1.1kW	1.4kW	1.14kW

* Ventilation not normally required in the UK subject to a satisfactory flue test. For Balanced Flue models ventilation is not required. Please note that ventilation requirements shown are for the UK and might vary from country to country.

† Designed to fit into any pre-cast flue that is compliant with building regulations. In all cases local installation requirements must be followed.

* When used with Thermostatic Remote Control. All other controls Class C.

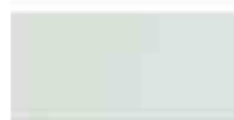
* When used with Thermostatic Remote Control. All other controls Class D.

We have made every effort to show the finishes as accurately as possible. Unfortunately, we cannot fully reflect the depth and quality of the finishes in print, nor can we guarantee exact colour matches. Your Nu-Flame stockist can show you swatches of the actual finishes used. Please refer to product pages for details of which finishes are available for which items.

In line with our policy of continual improvement, we reserve the right to modify specifications.

Technical Information

	Energis Ultra		Energis Slimline Ultra		Energis Vista+		Energis Slimline Vista+	
Model	EUN	EUL	ESUN	ESUL	EV+N	EV+L	ESV+N	ESV+L
Gas Type	Nat.Gas	Propane	Nat.Gas	Propane	Nat.Gas	Propane	Nat.Gas	Propane
Control Options	Manual, 2 Button HL, 3 Button HL, Remote Control		Manual, 2 Button HL, 3 Button HL, Remote Control		Manual, 2 Button HL, 3 Button HL, Remote Control		Manual, 2 Button HL, 3 Button HL, Remote Control	
Ventilation Required	No*		No*		No*		No*	
Flue Types	Class 1 & 2 Flues & Pre-Cast Flue†		Class 1 & 2 Flues & Pre-Cast Flue†		Class 1 and 2 Flues & Pre-Cast Flue†		Class 1 and 2 Flues & Pre-Cast Flue†	
Fuel Bed	Coal		Coal		Coal		Coal	
Efficiency Class	Class 1	Class 1	Class 1	Class 1	Class 1	Class 1	Class 1	Class 1
Efficiency	77.0%	77.0%	71.6%	74.5%	78.6%	78.4%	73.7%	72.1%
Energy Efficiency Class	E	E	F	E	E	E	E	F
Max Input Net	6.26kW	6.25kW	6.26kW	6.25kW	6.26kW	6.12kW	6.26kW	6.0kW
Min. Input Net	2.4kW	2.0kW	2.4kW	2.0kW	2.4kW	2.0kW	2.4kW	2.0kW
Max Heat Output	4.82kW	4.81kW	4.48kW	4.66kW	4.92kW	4.8kW	4.61kW	4.32kW
Min Output	1.5kW	1.23kW	1.46kW	1.24kW	1.58kW	1.25kW	1.5kW	1.25kW



Marfil Stone



Antique Gold



Polished Stainless



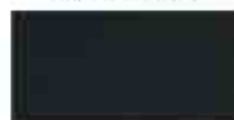
Satin Black



Holographic Black



Phosphorus



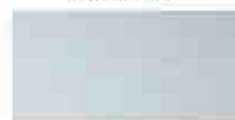
Textured Jet Black



Noir



Gun Metal



Brushed Stainless



Brass



Lacquered Brushed
Stainless

Technical Information

	Evolution Plus Tapered Inset						Evolution Plus Made to Measure		The Fireboxx Burner				
Model	16"NV	16"NV	18"NV	18"NV	18"Hi	18"Hi	Range of sizes		F350N	F500N	F500L	F720N	F720L
Gas Type	Nat.Gas	Propane	Nat.Gas	Propane	Nat.Gas	Propane	Nat.Gas	Propane	Nat.Gas	Nat.Gas	Propane	Nat.Gas	Propane
Control Options	Manual, Wall Switch, Remote Control						Manual, Wall Switch, Remote Control		Remote Control				
Ventilation Required	No*	No*	No*	No*	Yes	Yes	Dependent on size		No*	No*	No*	Yes	Yes
Flue Types	Class 1 & 2 Flues				Class 1 Flue		Class 1 or 2 Flue dependent on size		Class 1 & 2 Flues			Class 1 Flue	
Fuel Bed	Coal, Log, Driftwood, Pebble						Coal, Log, Driftwood, Pebble, Crushed Rock		Crushed Rock, Log, Driftwood, Pebble				
Efficiency Class	Not Applicable						Not Applicable		Not Applicable				
Efficiency	Subject to installation characteristics						Subject to installation characteristics		Subject to installation characteristics				
Energy Efficiency Class	Not Applicable						Not Applicable		Not Applicable				
Max Input Net	6.9kW	6.1kW	6.9kW	6.1kW	9.3kW	8.0kW	Dependent on size		5.3kW	6.7kW	5.4kW	8.2kW	8.3kW
Min Input Net	3.5kW	3.0kW	3.5kW	3.0kW	3.75kW	3.5kW	Dependent on size		2.6kW	3.4kW	2.7kW	4.0kW	4.0kW
Max Heat Output	Decorative Fires						Decorative Fires		Decorative Fires				
Min Output	Decorative Fires						Decorative Fires		Decorative Fires				

The efficiency and output figures quoted in this brochure are the results of tests carried out under laboratory conditions by BSI using the methodology and equipment as laid down in BS7977-1:2009+A1:2013 (except the Vitesse Balanced Flue which is tested to BS EN 613). This enables customers to make a direct comparison between one manufacturer's independently verified figures and another. It also allows our figures to be used in the UK Government's Standard Assessment Procedure (SAP) for the Energy Rating of Dwellings. When installed in any given property the overall performance of any fire could be affected by the individual attributes of the installation such as room insulation, ventilation and the characteristics of the chimney etc.

- * Ventilation not normally required in the UK subject to a satisfactory flue test. Please note that ventilation requirements shown are for the UK and might vary from country to country.

In all cases, local installation requirements must be followed.

Control Options

The control options available vary depending on the type of fire ordered. Please refer to the product pages which detail the control options available for each fire.



Fully Sequential Remote Control

Powered by 4 standard AA batteries. As well as on/off and variable flame height control, our fully sequential system turns the pilot on and off when extinguishing the fire.



Fully Sequential Wall Switch

The above system can be supplied with a wall switch instead of a handset on our Evolution Plus, Made to Measure and Tapered Burner ranges.



Manual

The Manual control features a single action 'twist and ignite' control valve which establishes the pilot light and allows you to adjust the flame height.

All electronic control systems are powered by standard AA batteries and do not need mains electricity.



2 Button High Level Touch Control

After manually lighting the permanent pilot, the fire is easily controlled by two buttons housed within the fire frame. This battery powered control allows you to adjust the flame setting and switch to the pilot only setting, by simply pushing a button.



3 Button Fully Sequential High Level Touch Control

As well as on/off and variable flame height our 3 Button High Level Touch Control turns the pilot on and off when extinguishing the fire.

Thermostatic Control (Vitesse BF, Veo BF & Fenton BF only)



required heating to maintain a comfortable room temperature.

As well as providing the functionality of the Fully Sequential Remote Control the Thermostatic Control option allows you to pre-select temperature and timer programs on the handset. The system will then control the Vitesse Balanced Flue in order to provide the

Flue Types

Nu-Flame has fires to suit the various types of flue you are likely to have in your home.

Below are brief details. The photographs are a guide only to help identify the type of flue.

Your Nu-Flame stockist will give you further details.



Chimney - Class 1 Flue

All Nu-Flame fires are suitable for a conventional brick built chimney, subject to satisfactory flue test.



Pre-Fabricated - Class 1 & 2 Flues

A pre-fabricated flue is characterised by a metal pipe and terminal appearing through the roof. The majority of Nu-Flame fires are approved for installation with a pre-

fabricated flue system, subject to a satisfactory flue test.



Balanced Flue

Nu-Flame balanced flue fires vent the products of combustion through a horizontal twin wall pipe, which terminates on an outside wall. This requires just a single hole

to be drilled through the wall, and allows the use of a compact, neat looking terminal on the outside wall. If the flue terminal is easily accessible (e.g. adjoining a path) then a mesh terminal guard must be used.



Pre-Cast Flue

We have various fires suitable for use with any pre-cast flue that is compliant with

building regulations. With some installations it might be necessary to have a deeper mantel rebate, or carry out other additional work. Your Nu-Flame stockist can advise you.



Nu-Flame Ltd

Unit 4, Kimpton Trade & Business Centre,
Minden Road, Sutton, Surrey, SM3 9PF

Tel : **020 8254 6802**

Fax: 020 8641 9992

Email : sales@nu-flame.co.uk

Web : www.nu-flame.co.uk