

A black wood-burning stove is shown in a close-up, angled view. The stove is set against a wall of reddish-brown bricks with light-colored mortar. A fire is burning brightly inside the stove, with orange and yellow flames visible through the glass door. The stove has a classic, boxy design with a chimney pipe on top and a handle on the left side. The floor in front of the stove is a light-colored, textured surface.

# THE MOURNE COLLECTION

Fireplaces & Stoves  
2025

# CONTENTS

## STOVES

|                                    |    |
|------------------------------------|----|
| Mourne Stoves                      | 3  |
| Summit 5                           | 5  |
| Eco 5 Wide                         | 6  |
| Eco 5 Portrait                     | 7  |
| Eco 8                              | 8  |
| Eco 12                             | 9  |
| Eco Inset 550                      | 10 |
| Eco Inset 400                      | 11 |
| Eco 980                            | 12 |
| The Mournes In Colour              | 13 |
| Mourne Stoves &<br>The Environment | 14 |

## FIREPLACES

|                           |    |
|---------------------------|----|
| Mourne Fireplaces         | 15 |
| Ben Crom 54" Ice White    | 16 |
| Binnian 59" Ivory Pearl   | 17 |
| Binnian 59" Spelga Stone  | 18 |
| Brompton 54" Ivory Pearl  | 19 |
| Carn 60" Ivory Pearl      | 20 |
| Commedagh 54" Ivory Pearl | 21 |
| Doan 54" Ivory Pearl      | 22 |
| Donard 54" Ivory Pearl    | 23 |
| Glenmore 58" Spelga Stone | 24 |
| Glenmore 58" New Carrara  | 25 |
| Gullion 54" Ice White     | 26 |
| Gullion 54" Spelga Stone  | 27 |
| Gullion 66" Ice White     | 28 |
| Meelbeg 54" Ice White     | 29 |
| Meelbeg 58" New Carrara   | 30 |

## STOVE & FIREPLACE INFORMATION

|                                |         |
|--------------------------------|---------|
| Stove Information & Dimensions | 32      |
| Stove Technical Drawings       | 33 - 34 |
| Fireplace Dimensions           | 35      |



## STOVES

*All MournEco stoves have been designed with the environment in mind, are easy to maintain, and constructed to the highest standards.*

*The premium steel construction of the stove bodywork is completed with a stylish and contemporary door.*

*All MournEco stoves have been independently tested in Netherlands to ensure they meet and exceed all current standards for safety and emissions criteria, including Eco Design criteria.*







## SUMMIT 5

*Red Ceramic Herringbone Chamber*

*Magnetic Trim Kit*

*Dekton Grafite Hearth*







## ECO 5 WIDE

*Lockstone Maxi Dove Grey Chamber*

*Magnetic Trim Kit*

*48" Geocast Heritage Beam*

*\*Shown on Log Store*





## ECO 5 PORTRAIT

*Red Ceramic Herringbone Chamber*

*Magnetic Trim Kit*

*48" Geocast Light Oak Beam*

*\*Shown on Log Store*







## ECO 8

*Cast Iron Reeded Panels Chamber*

*Glenmore 58" New Carrara*







## ECO 12

*Lockstone Ash Grey Chamber*

*Meelbeg 58" Spelga Stone*





## ECO INSET 550

*4 Piece Honed Slate Slip Set*







## ECO INSET 400

*54" Ben Crom Ice White*

*Granite Back Panel*





*\*Available with closed log store*

## ECO 980

*Lockstone Maxi Nordic Chamber*







# THE MOURNES IN COLOUR



Gold



Green Illusion



Mojave Red



Pewter



Gun Metal



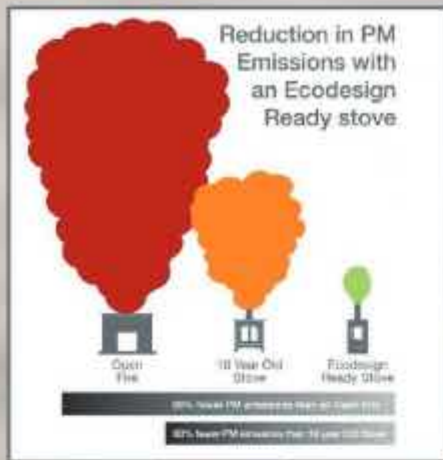
Almond



Blue



Green



## Clean Burn

Ecodesign Ready stoves have been engineered to burn wood more completely thus reducing particulate matter (organic particles that come from incomplete combustion of the fuel).

The Mourne Eco stoves feature targeted introduction of combustion air at higher levels in the fire box, reigniting the particles of smoke before they can leave the stove.

## More Efficient

As well as greatly reducing the emission of particulate matter, Mourne Eco stoves are also more efficient, reducing the amount of fuel you need to use in the stove, maximising heat output and saving you money.



## Did you know...

Each tree absorbs the same amount of carbon dioxide when growing as it releases when burned.

So if you use wood as your fuel source in one of our Mourne Eco stoves and source your wood locally from sustainable woodlands the appliance is close to carbon-neutral.

Be sure to look out for Woodsure's 'Ready to Burn' logo to easily identify firewood that has a moisture content of 20% or less. This not only produces more heat than wet wood but also reduces air particulate matter.





# FIREPLACES

*The Mourne Collection fireplaces are inspired by the rugged beauty of the Mourne Mountains.*

*With four stunning stone options; IceWhite, Ivory Pearl, New Carrara, and Spelga Stone the range offers something for every style, whether that be a modern look or a warm, classic feel.*

*Transform your living space with a centerpiece that brings the essence of the Mourne Mountains into your home.*



## BEN CROM

54" | IceWhite

*Mourne Summit 5*

*Red Ceramic Brick Bond Chamber*

*Italian Honed Slate Hearth*





# BINNIAN

59" | Ivory Pearl

*\*Available in Ice White & Spelga Stone*

*Mourne Eco 8*

*Lockstone Oyster Chamber*

*Polished Granite Hearth*



# BINNIAN

59" | Spelga Stone

\*Available in Ivory Pearl & Ice White

*Vision Solus 75*

*Polished Granite Slip Set*

*Polished Granite Hearth*





# BROMPTON

54" | Ivory Pearl

*Mourne Eco 5Wide*

*Lockstone Oyster Chamber*

*Polished Granite Hearth*



# CARN

60" | Ivory Pearl

*Mourne Eco 8*

*Cast Iron Reeded Panels Chamber*

*Polished Granite Hearth*





# COMMEDAGH

54" | Ivory Pearl

*Jubilee Highlighted Cast Iron  
Decorative Gas Fire  
Polished Granite Hearth*



DOAN

54" | Ivory Pearl

*Mourne Eco 5 Portrait*  
*Lockstone Oyster Chamber*  
*Polished Granite Hearth*





# DONARD

54" | Ivory Pearl

*Mourne Eco Inset 400*

*Monroe Highlighted Fascia*

*Honed Granite Hearth*



## GLENMORE

58" | *Spelga Stone*  
*\*Available in New Carrara*

*Mourne Eco 12*

*Lockstone Ash Grey Chamber*  
*Polished Granite Hearth*





## GLENMORE

58" | *New Carrara*  
*\*Available in Spelga Stone*

*Mourne Eco 5 Wide*  
*Cast Iron Reeded Panels Chamber*  
*Italian Riven Slate Hearth*



# GULLION

54" | IceWhite

\*Available in Ivory Pearl & Spelga Stone

*Mourne Eco Inset 400*

*Hamilton Highlighted Fascia*

*Polished Granite Hearth*





# GULLION

54" | Spelga Stone

\*Available in Ivory Pearl & Ice White

*Mourne Eco Inset 400*

*Hamilton Highlighted Fascia*

*Honed Granite Hearth*



# GULLION

66" | IceWhite

*Mourne Eco Inset 550*  
*Polished Granite Back Panel*  
*Polished Granite Hearth*





# MEELBEG

54" | IceWhite

\*Available in Spelga Stone

*Mourne Eco Inset 550*

*Polished Granite Back Panel*

*Polished Granite Hearth*



## MEELBEG

58" | *New Carrara*

*\*Available in IceWhite & Spelga Stone*

*Mourne Summit 5*

*Lockstone Ash Grey Chamber*

*Honed Granite Hearth*



A close-up photograph of a dark, textured stone surface. The image features a prominent diagonal groove running from the bottom left towards the center. In the upper right, there is a recessed rectangular area with a beveled edge, creating a sense of depth. The lighting is dramatic, highlighting the texture and the sharp edges of the stone.

SPELGA STONE

# STOVE INFORMATION

| STOVE MODEL    | OUTPUT | EFFICIENCY | FUEL TYPE | FLUE OUTLET      | OUTSIDE AIR    | DEFRA | ECO | ERP |
|----------------|--------|------------|-----------|------------------|----------------|-------|-----|-----|
| Summit 5       | 4.6kW  | 75.6%      | Multi     | Top/Rear (125mm) | Yes (Optional) | Yes   | Yes | A   |
| Eco 5 Wide     | 4.6kW  | 75.6%      | Multi     | Top/Rear (125mm) | Yes (Optional) | Yes   | Yes | A   |
| Eco 5 Portrait | 4.6kW  | 78.7%      | Multi     | Top/Rear (125mm) | Yes (Optional) | Yes   | Yes | A   |
| Eco 8          | 8.2kW  | 78.7%      | Multi     | Top/Rear (125mm) | Yes (Optional) | Yes   | Yes | A   |
| Eco 12         | 12.5kW | 84%        | Multi     | Top/Rear (125mm) | Yes (Optional) | Yes   | Yes | A+  |
| Eco 980        | 4.9kW  | 77.7%      | Wood      | Top/Rear (125mm) | Yes            | Yes   | Yes | A   |
| Eco Inset 550  | 6.9kW  | 75.8%      | Multi     | Top (125mm)      | Yes (Optional) | Yes   | Yes | A   |
| Eco Inset 400  | 5.0kW  | 82.2%      | Multi     | Top (125mm)      | Yes (Optional) | Yes   | Yes | A+  |

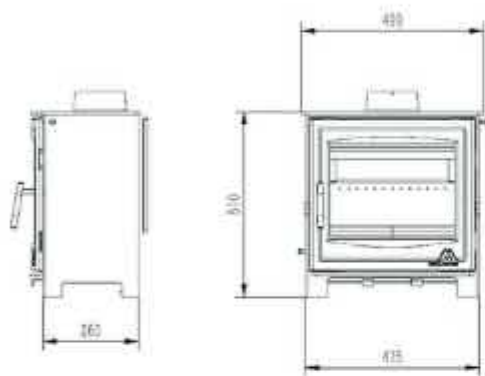
# STOVE DIMENSIONS

| STOVE MODEL    | DIMENSIONS                        | DIMENSIONS (inc Long Legs)        |
|----------------|-----------------------------------|-----------------------------------|
| Summit 5       | 545mm (h) x 499mm (w) x 343mm (d) |                                   |
| Eco 5 Wide     | 510mm (h) x 499mm (w) x 260mm (d) | 715mm (h) x 499mm (w) x 260mm (d) |
| Eco 5 Portrait | 545mm (h) x 420mm (w) x 255mm (d) | 750mm (h) x 420mm (w) x 255mm (d) |
| Eco 8          | 575mm (h) x 570mm (w) x 260mm (d) | 780mm (h) x 570mm (w) x 260mm (d) |
| Eco 12         | 575mm (h) x 570mm (w) x 300mm (d) | N/A                               |
| Eco 980        | 991mm (h) x 470mm (ø)             | N/A                               |
| Eco Inset 550  | 571mm (h) x 640mm (w) x 344mm (d) | N/A                               |
| Eco Inset 400  | 596mm (h) x 490mm (w) x 342mm (d) | N/A                               |

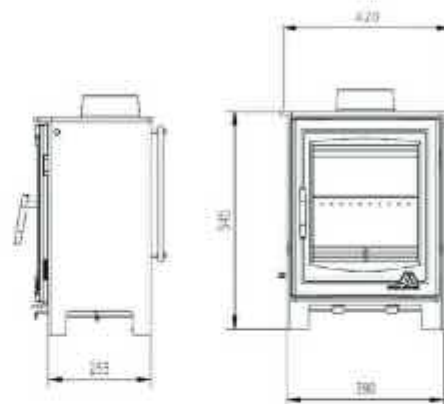


# STOVE TECHNICAL DRAWINGS

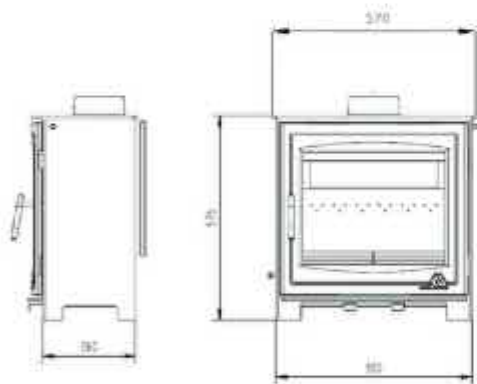
ECO 5 WIDE



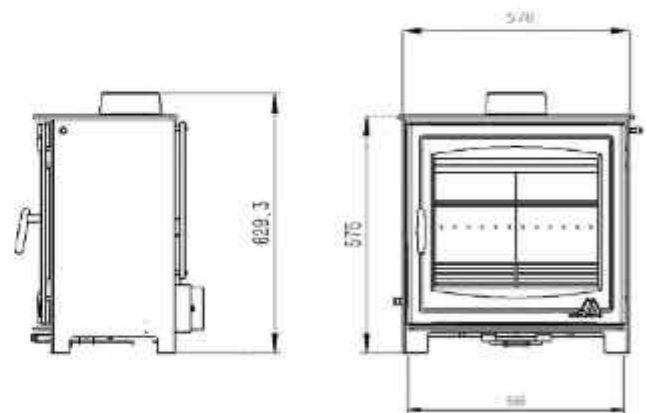
ECO 5 PORTRAIT



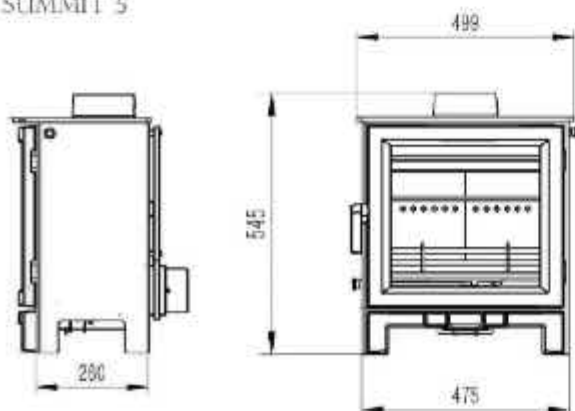
ECO 8



ECO 12

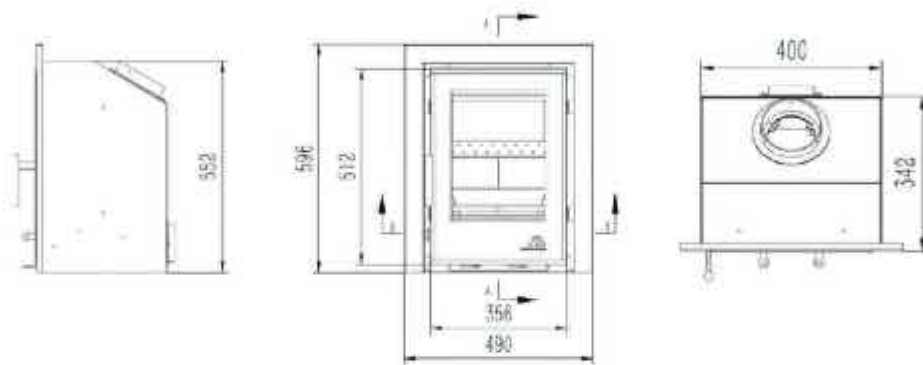


SUMMIT 5

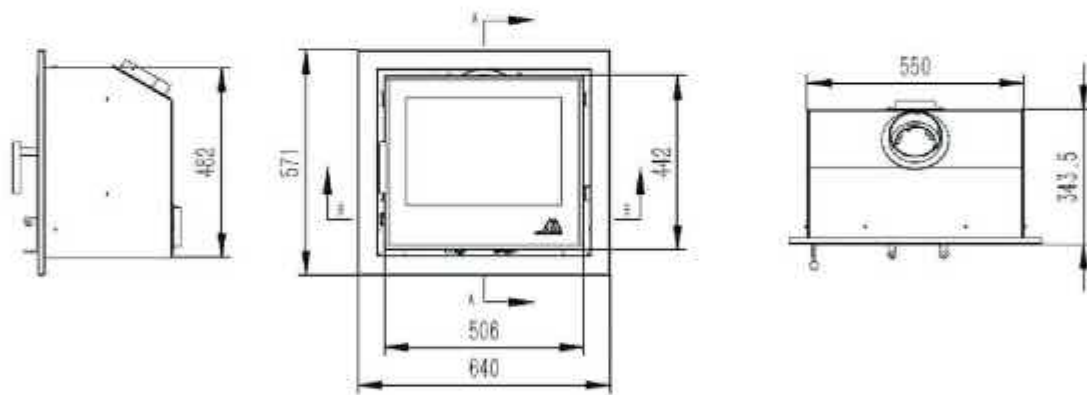


# STOVE TECHNICAL DRAWINGS

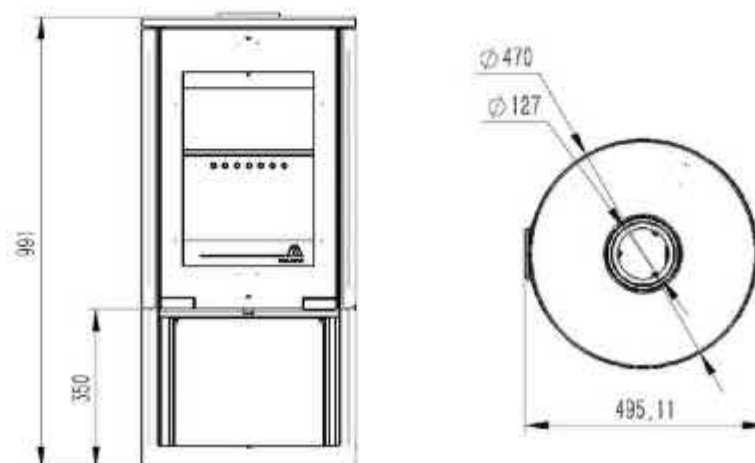
ECO INSET 400



ECO INSET 550



ECO 980



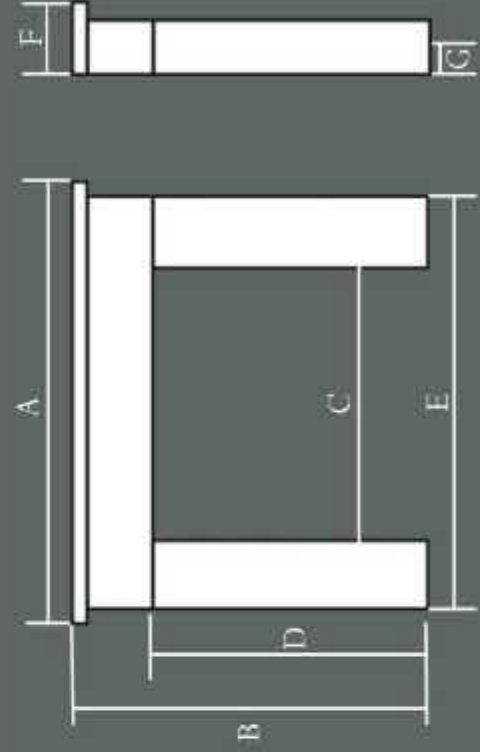


# FIREPLACE DIMENSIONS

| SURROUND | SHELF WIDTH (A) |      | OVERALL HEIGHT (B) |      | OPENING (C X D) |           | LEG WIDTH (E) |      | SHELF DEPTH (F) |     | INTERNAL RETURN (G) |    | MATERIAL |               |            |             |
|----------|-----------------|------|--------------------|------|-----------------|-----------|---------------|------|-----------------|-----|---------------------|----|----------|---------------|------------|-------------|
|          | Inches          | mm   | Inches             | mm   | Inches          | mm        | Inches        | mm   | Inches          | mm  | Inches              | mm | Ivory®   | Speigel Stone | Ice White® | New Carrara |
| BEN CROM | 54              | 1375 | 41                 | 1125 | 36 x 36         | 915 x 915 | 49            | 1235 | 7               | 180 | 3                   | 75 |          |               | ✓          |             |
| BINNIAN  | 54              | 1375 | 46                 | 1170 | 36 x 36         | 915 x 915 | 51            | 1285 | 12              | 305 | 3                   | 75 | ✓        |               |            |             |
| BINNIAN  | 59              | 1500 | 51                 | 1295 | 36 x 36         | 915 x 915 | 51            | 1365 | 13              | 335 | 3                   | 75 | ✓        | ✓             |            |             |
| BROMPTON | 54              | 1375 | 45                 | 1145 | 36 x 36         | 915 x 915 | 51            | 1305 | 8               | 200 | 3                   | 75 | ✓        |               |            |             |
| CARN     | 54              | 1375 | 44                 | 1130 | 29 x 31         | 745 x 825 | 49            | 1255 | 9               | 225 | 3                   | 75 | ✓        |               |            |             |
| CARN     | 60              | 1525 | 48                 | 1230 | 36 x 36         | 915 x 915 | 56            | 1470 | 10              | 250 | 3                   | 75 | ✓        |               |            |             |
| COMMDAGH | 54              | 1375 | 49                 | 1250 | 35 x 36         | 890 x 915 | 52            | 1310 | 10              | 265 | 3                   | 75 | ✓        |               |            |             |
| DOAN     | 54              | 1375 | 46                 | 1170 | 36 x 36         | 915 x 915 | 51            | 1295 | 9               | 235 | 3                   | 75 | ✓        |               | ✓          |             |
| DONARD   | 54              | 1375 | 46                 | 1175 | 36 x 36         | 915 x 915 | 50            | 1265 | 11              | 280 | 3                   | 75 | ✓        |               |            |             |
| GLENMORF | 58              | 1475 | 47                 | 1190 | 36 x 36         | 915 x 915 | 53            | 1310 | 10              | 250 | 3                   | 75 |          | ✓             |            | ✓           |
| GULLION  | 54              | 1375 | 46                 | 1180 | 36 x 36         | 915 x 915 | 51            | 1295 | 10              | 260 | 3                   | 75 | ✓        | ✓             |            |             |
| GULLION  | 60              | 1525 | 48                 | 1225 | 36 x 36         | 915 x 915 | 55            | 1405 | 11              | 280 | 3                   | 75 | ✓        |               | ✓          |             |
| GULLION  | 66              | 1675 | 50                 | 1270 | 36 x 36         | 915 x 915 | 61            | 1540 | 12              | 300 | 3                   | 75 |          |               | ✓          |             |
| MHLEBEG  | 54              | 1375 | 44                 | 1120 | 35 x 35         | 895 x 890 | 50            | 1260 | 9               | 235 | 3                   | 75 |          | ✓             | ✓          |             |
| MHLEBEG  | 58              | 1475 | 46                 | 1180 | 36 x 36         | 915 x 915 | 53            | 1335 | 9               | 245 | 3                   | 75 |          | ✓             | ✓          | ✓           |

\* Ivory hearth available in 54" x 18" & 60" x 18" (risers loose)

\* Ice White hearth available in 58" x 18" (risers loose) & 1 piece back panel 57" x 37" with 16" x 22" opening





All images are for illustrative purposes only, and not to scale. Seek expert fitting advice from your local fireplace retailer. The range is distributed by T & T Distributors, [www.t-distributors.com](http://www.t-distributors.com)