

ARADA
— DEVON —

Stoves

Contents

Contemporary Living

I-400	4
I-500	6
I-600	8
Hoxton 7	10
Lagom Ceramic	12
Lagom Steel	14
M Series 5 Widescreen	16

Ecoburn

Ecoburn 5	18
Ecoburn 5 Widescreen	20
Ecoburn 7	22

Holborn

Holborn 5	24
Holborn 5 Widescreen	26
Holborn 7	28

Solution

Solution 4	30
Solution 5 Compact	3
Solution 5	34
Solution 5 Inset	36
Solution 5 Widescreen	38
Solution 7	40
Solution 7 Inset	42



About Arada

We've been proudly producing wood and multi fuel stoves for a long time. From modest beginnings to building up an experienced team of engineers, designers and fabricators producing domestic heating products for the UK and worldwide. We have been based at our Axminster site for almost two decades, but our company history actually goes back over half a century.

Today, we design, manufacture and distribute wood, multi-fuel, gas and electric stoves / fires.

Our focus is on the production and supply of the most desirable, efficient and lowest emission heating appliances to complement any cosy home.

Within this collection, you will find wood burning stoves that epitomise traditional design with an abundance of charm and character. Also featured are a selection of modern style wood burners. Clean-cut lines and big viewing windows emphasise the beauty of the fire whilst offering top efficiency ratings.





Features

British built cassette stove. Ecodesign and DEFRA Exempt.
Large glass door wood burning or solid fuel stove.
Lifetime guarantee, Nominal output of 4.9kW to room (wood fuel).

- 4.9kW heat output
- Ecodesign 2022
- Wood & Solid fuel burning
- Lifetime guarantee
- Direct air compatible

Dimensions

Width	476mm
Height	581mm
Depth	423mm
Ideal log length	200mm

Full specs overleaf



Optional Extras: Coloured paint options for trim & body, Solid fuel burning kit, 3 & 4 sided trims



1400-S3 shows optional Glass Door available

Dimensions

Width (external)	476 mm
Height (external)	581 mm
Depth (external including handle)	423 mm
Flue Diameter	127 mm
Width (internal to Builders Opening)	428 mm
Height (internal to Builders Opening)	535 mm
Depth (internal to Builders Opening)	244 mm
Depth to Top Flue Opening	182 mm
Max log length / diameter	200 mm / 100 mm

Measurements shown do not include optional glass door

Minimum distance to combustibles

(with standard fire cover, log)

Side wall	Top mantle	Underneath temperature
150 mm	400 mm	412 °C

Direct Air Connection

Rear (floor to centre)	Side (back to centre)
71 mm	108 mm

Product Fiche

Supplier name	Wald
Product Code	1400-S3
Energy Efficiency Class (wood / MSF)	A+ / D
Direct Heat Output (wood / MSF)	4.9 kW / 4.9 kW
Indirect Heat Output (wood / MSF)	N/A
Energy Efficiency Index (wood / MSF)	102.79 / 24.61

The useful energy efficiency at nominal heat output and at minimum load (wood / MSF)

82.6 % / 82.9 %

Specific precautions that shall be taken when the local space heater is assembled, installed or maintained:

Product should be installed in accordance with local building regulations. Applications will however vary by local jurisdiction.

Features

Fixed/flue	Yes
Stove body type	Cast-iron
EcoDesign Ready	Yes
Suitable for smoke control areas	Yes
Suitable for direct air connection	Yes
Suitable for non-combustible (LVT) hearth	No
Flue outlet	Vertical /up/out
Weight gross (packed weight)	79 Kg
Weight net (unpacked weight)	79 Kg

Performance

	Wood Fuel	Manufactured Solid Fuel
Energy Efficiency Class	A+	D
Nett Efficiency	82.6%	82.9%
Nominal Output	4.9 kW	4.9 kW
Output Range	1.2–6 kW	1.2–6 kW
Mass CO Emission (PM2.5)	0.08 %	0.01 %
PM ₁₀ particulate	9.1 mg/m ³	15.1 mg/m ³
Mass NO _x Emission (PM2.5)	9.1 mg/m ³	14.0 mg/m ³
Mass CO ₂ Emission (PM2.5)	4.6 mg/m ³	2.1 mg/m ³
Flue Gas Moist Flow	3.8 g/s	5 g/s
Flue Gas Temperature	267 °C	247 °C
Typical Fuel load for nominal rated output per hour (kWh/Kg)	1.18 (wood load=wood)	C.20 (MSF load=MSF)



Features

British built cassette stove. Ecodesign and DEFRA Exempt.
Large glass door wood burning or solid fuel stove.
Lifetime guarantee, Nominal output of 5.6kW to room (wood fuel).

- 5.6kW heat output
- Ecodesign 2022
- Wood & Solid fuel burning
- Lifetime guarantee
- Direct air compatible

Dimensions

Width	578mm
Height	581mm
Depth	423mm
Ideal log length	300mm

Full specs overleaf



Optional Extras: Coloured paint options for trim & body, Solid fuel burning kit, 3 & 4 sided trims



1500-53 Stove with optional glass fire solution

Dimensions

Width (external)	525 mm
Height (external)	581 mm
Depth (external including handle)	423 mm
Pipe Diameter	127 mm
Width (internal to Builders Opening)	525 mm
Height (internal to Builders Opening)	535 mm
Depth (internal to Builders Opening)	354 mm
Depth to Top Flue Opening	112 mm
Internal leg length / diameter	300 mm / 100 mm

Please note: Dimensions do not include optional glass fire solution.

Minimum distance to combustibles

(as standard flue system)

Side wall	Top masonry	Used hearth temperature
150 mm	650 mm	56 °C

Direct Air Connection

Rear (floor to ceiling)	Base (back to ceiling)
75 mm	55 mm

Product Fiche

Supplier name	Arca
Product Code	1500-53
Energy Efficiency Class (wood / MSF)	A / D
Direct Heat Output (wood / MSF)	5.6 kW / 5.5 kW
Indirect Heat Output (wood / MSF)	N/A
Energy Efficiency Index (wood / MSF)	95.83 / 72.9
The use of energy efficiency of nominal heat output and at minimum load (wood / MSF)	74.5 % / 81 %

Specific precautions that shall be taken when the local space heater is assembled, installed or maintained:

Product should be installed in accordance with local building regulations. As always, visit www.arca.com for more information.

Features

Firefall	Yes
Stone body type	Cast iron
Ready to go	Yes
Suitable for smoke control areas	Yes
Suitable for direct air convection	Yes
Suitable for non-combustible 12mm hearth	No
Flue outlet	Vertical outlet
Weight gross (packed weight)	89 Kg
Weight net (unpacked weight)	300 Kg

Performance

	Wood Fuel	Manufactured Solid Fuel
Energy Efficiency Class	A	D
Net Efficiency	80.5%	81%
Nominal Output	5.6 kW	5.5 kW
Output Range	1.5–6.0 kW	1.5–6.0 kW
Mean CO Emission (ppm, CO)	0.04%	0.06%
PM ₁₀ particulate	22 mg/m ³	30 mg/m ³
Mean NO _x Emission (ppm, NO)	74 mg/m ³	80 mg/m ³
Mean OGC Emission (ppm, CO)	44 mg/m ³	16 mg/m ³
Flue Gas Mass Flow	3.4 g/s	3.3 g/s
Flue Gas Temperature	292 °C	307 °C
Typical Fuel load for nominal rated output per hour (kWh/Kg)	1.18 (wood / hardwood)	0.30 (MSF / charcoal)

1500-53 fuel performance requires optional chimney lining kit.

Visit www.arca.com for more information on the features of this product. www.arca.com



Features

British built modern Ecodesign and DEFRA Exempt cassette stove. Single door multi fuel stove with large glass firebox window. Lifetime guarantee, Nominal 6.2kW output to room (wood fuel).

- 6.2kW heat output
- Ecodesign 2022
- Wood & Solid fuel burning
- Lifetime guarantee
- Direct air compatible

Dimensions

Width	676mm
Height	581mm
Depth	423mm
Ideal log length	423mm

Full specs overleaf



Optional Extras: Coloured paint options for trim & body, Solid fuel burning kit, 3 & 4 sided trims



1600 (Sg) without additional glass (see order code)

Dimensions

Width [external]	676 mm
Height [external]	583 mm
Depth [external including handle]	423 mm
Flue Diameter	127 mm
Width [internal to Builders Opening]	636 mm
Height [internal to Builders Opening]	553 mm
Depth [internal to Builders Opening]	364 mm
Depth to Top Flue Opening	132 mm
Ideal log length / diameter	350 mm / 100 mm

These are the standard dimensions. They do not include optional extra features.

Minimum distance to combustibles

(with standard flue connection)

Side wall	Top mantel	Underhearth temperature
70mm	25 mm	50 °C

Direct Air Connection

Rear (floor to centre)	Esse (back to centre)
70 mm	105 mm

Product Fiche

Supplier name	Atasib
Product Code	1600-SG
Energy Efficiency Class (wood / MSF)	A / D
Direct Heat Output (wood / MSF)	6.2 kW / 5.96 kW
Indirect Heat Output (wood / MSF)	N/A
Energy Efficiency Index (wood / MSF)	101.90 / 73.16

The useful energy efficiency of combined heat output and at standard load (wood / MSF)

73.16 / 80.13%

Specific precautions that shall be taken when the local space heater is assembled, installed or maintained:

Product should be installed in accordance with local building regulations. Appliances will become very hot during use.

Features

Flexifuel	Yes
Stove body type	Cassette
Ready to go	Yes
Suitable for smoke control areas	Yes
Suitable for direct air connection	Yes
Suitable for non-combustible 12mm hearth	No
Flue outlet	Vertical top of
Weight gross (packed weight)	134 kg
Weight net (unpacked weight)	107 kg

Performance

	Wood Fuel	Manufactured Solid Fuel
Energy Efficiency Class	A	D
Net Efficiency	76.1%	60.3%
Nominal Output	6.2 kW	5.96 kW
Output Range	0.5–6 kW	0.5–6 kW
Mean CO Emission (ppm CO)	0.07%	0.3%
DM- particulate	31 mg/m ³	32 mg/m ³
Mean NOx Emission (ppm NO)	91 mg/m ³	114 mg/m ³
Mean OGC Emission (ppm CO)	48 mg/m ³	56 mg/m ³
Flue Gas Mass Flow	5.4 g/s	4.3 g/s
Flue Gas Temperature	297 °C	255 °C
Typical fuel load for nominal rated output per hour (kWh/kg)	1.06 (standard hardwood)	0.37 (MSF standard)



Features

Featuring a 7kw nominal heat output, the cylindrical base of the Hoxton benefits from a large viewing glass to allow for an expansive view of the flames. A click closure mechanism ensures optimum safety and prevents any debris from escaping from the stove door.

- 7.3kW heat output
- Ecodesign 2022
- Wood burning
- Lifetime guarantee
- Direct air compatible

Dimensions

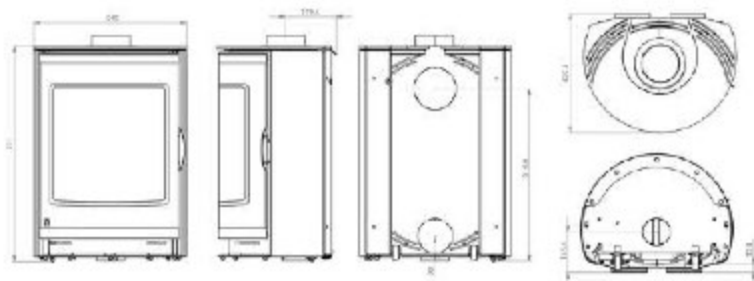
Width	545mm
Height	771mm
Depth	425mm
Ideal log length	250mm

Full specs overleaf



Optional Extras: Pedestals (short & tall) / Log Stores (short & tall)

Hoxton 7



Dimensions

Width (across footplate)	540 mm
Height (top of canopy to base)	1771 mm
Short leg stove height / total height	719 mm / 940 mm
Tall leg stove height / total height	212 mm / 1060 mm
Short pedestal height / total height	205 mm / 907 mm
Tall pedestal height / total height	212 mm / 1060 mm
Depth	425 mm
Flue Diameter	127 mm
Depth from back to centre of top flue	180 mm
Air height of rear flue	617 mm
Stove leg length / diameter	250 mm / 100 mm

Performance

	Wood Fuel
Energy Efficiency Class	A
Net Efficiency	74.6 %
Nominal Output	7.3 kW
Mean L5 Emission (@13% O ₂)	± 1%
PM₁₀ particulate	34 mg/m ³
Mean NO _x Emission (@13% O ₂)	45 mg/m ³
Mean CO Emission (@13% O ₂)	80 mg/m ³
Flue Gas Mass Flow	2.6 g/s
Flue Gas Temperature	217 °C
Nominal output/hr (typical fuel load)	2.07 LPK/kg (seasoned hardwood)

Features

Stove body type	Free-standing
EcoDesign Ready	Yes
Approved for smoke control areas	Yes
Suitable for direct air connection	Yes
Suitable for non-combustible 12mm hearth	Yes
Weight net (unpacked kg)	111 Kg

Minimum distance to combustibles

	With single-walled flue fitted
Rear	250 mm
Side	500 mm
	With twin-walled flue fitted
Rear	200 mm
Side	300 mm
Max hearth temperature	32 °C

Direct air spigot location

When viewing the rear side of the stove:

Spigot diameter	100 mm
Height from floor (standard feet)	90 mm
Min distance from wall (from underside)	145 mm
Vertical position	Centre

We recommend this appliance is installed with clearance of 100mm to non-combustible materials. Installation and operating instructions for this stove are available online at www.electostoves.com.



Features

Lagom 4 Ceramic. 4kW Ecodesign Ready stove. Distinctive modern white cylindrical body, low emission, superior fuel efficiency. Produced under licence by our EU partner.

- 4kW heat output
- Ecodesign 2022
- Wood burning
- 10 year guarantee
- Self-closing door
- Integrated storage area

Dimensions

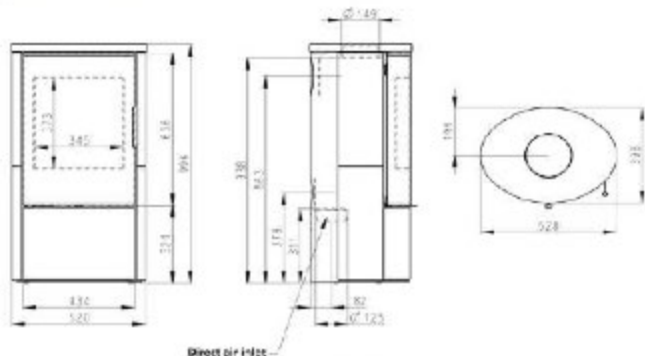
Width	528mm
Height	996mm
Depth	398mm
Ideal log length	250mm

Full specs overleaf



Optional Extras: Pedestals (short & tall) / Log Stores (short & tall)

Lagom 4 Ceramic



Dimensions

Width	528 mm
Height	994 mm
Depth	398 mm
Flue Diameter	149 mm
Depth from back to centre of top flue	173 mm
Ash height of rear flue	863 mm
Meal tray length	250 mm

Performance

	Wood Fuel
Energy Efficiency Class	A+
Net Efficiency	80.5 %
Nominal Output	4.0 kW
Mean CO Emission @13% O ₂	1102 mg/m ³
Mean CO ₂ Emission	0.52 %
DM ₅₀ particulate	15 mg/m ³
Mean NO _x Emission @13% O ₂	111 mg/m ³
Mean OGC Emission @13% O ₂	65 mg/m ³
Flue Gas Mass Flow	4 g/s
Flue Gas Temperature	247 °C
Average wood consumption	1.2 kg/hr

Features

Stove body type	Freestanding
Ecodesign Ready	Yes
Approved for smaller central areas	No
Suitable for direct air connection	Yes
Suitable for non-combustible 12mm hearth	Yes
Weight gross (packed kg)	123 Kg

Minimum distance to combustibles

	With single-walled flue fitted
Rear	100 mm
Side	100 mm
Top	200 mm

Direct air spigot location

(when viewing the rear side of the stove)

Spigot diameter	125 mm
Spigot orientation	vertical
Height from floor	311 mm
Ash distance from rear	82 mm
Offset position	Centre

We recommend this appliance is installed with clearance of 100mm to non-combustible materials. Installation and operating instructions for this stove are available online at www.erecstoves.com.



Features

Lagom 4 Steel. 4kW Ecodesign Ready stove. Distinctive modern cylindrical body, low emission, superior fuel efficiency. Produced under licence by our EU partner.

- 4kW heat output
- Ecodesign 2022
- Wood burning
- 10 year guarantee
- Self-closing door
- Integrated storage area

Dimensions

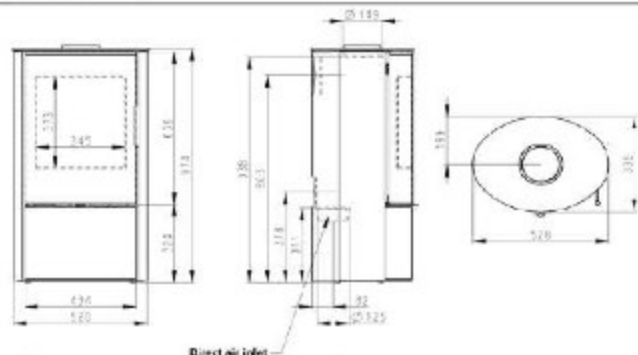
Width	528mm
Height	974mm
Depth	398mm
Ideal log length	250mm

Full specs overleaf



Optional Extras: Pedestals (short & tall) / Log Stores (short & tall)

Lagom 4 Steel



Dimensions

Width	528 mm
Height	974 mm
Depth	395 mm
Flue Diameter	140 mm
Depth from back to centre of top flue	199 mm
Ass height of rear flue	863 mm
Ideal log length	350 mm

Performance

	Wood Peel
Energy Efficiency Class	A+
Nett Efficiency	80.5 %
Nominal output	4.0 kW
Mean CO Emission (91.1% O ₂)	110 mg/m ³
Mean CO ₂ Emission	3.39 %
DFE particulate	75 mg/m ³
Mean NO _x Emission (91.1% O ₂)	111 mg/m ³
Mean OGC Emission (91.1% O ₂)	68 mg/m ³
Flue Gas Mass Flow	4 g/h
Flue Gas Temperature	267 °C
Average wood consumption	1.2 kg/h

Features

Stove body type	Free-standing
Explosion Ready	Yes
Approved for smoke control areas	No
Suitable for direct air connection	Yes
Suitable for non-combustible 12mm hearth	Yes
Weight gross (packed kg)	123 kg

Minimum distance to combustibles

	With single-walled flue fitted
Rear	100 mm
Side	100 mm
Top	1200 mm

Direct air spigot location

(when viewing the rear side of the stove)

Spigot diameter	125 mm
Spigot orientation	Vertical
Height from floor	311 mm
Axis distance from rear	82 mm
Vertical position	Centre

We recommend this appliance is installed with clearance of 100mm to non-combustible materials. Installation and operating instructions for this stove are available online at www.aradacalows.com.



Features

The super-efficient stove engine in the 4.9kW M Series 5 Widescreen stove is based upon our proven Ecodesign Ready technologies to give extended wood fuel efficiency and lower emissions than an open fire or a 10 year old stove

- 4.9kW heat output
- Ecodesign 2022
- Wood burning
- Lifetime guarantee
- Cast iron or steel door
- Top or rear 5" flue outlet

Dimensions

Width	525mm
Height	485mm
Depth	350mm
Ideal log length	375mm

Full specs overleaf



Optional Extras: Bolt on feet / Stand / Log Store / Direct air kit



Dimensions

Width	516 mm
Height (exc. Top flue collar)	485 mm
Depth (inc. Handle)	350 mm
Flue Diameter	127 mm
Total height on optional feet (exc. Top flue collar)	563,5 mm
Total height on optional stand (exc. Top flue collar)	684,5 mm
Total height on log store (exc. Top flue collar)	904,5 mm
Depth from back to centre of top flue	105 mm
Height to centre of rear flue	349 mm
Max log length / diameter	575 mm / 100 mm

Performance—Wood Fuel

	Wood Fuel
Energy efficiency class	A+
Net Efficiency	81,5 %
Nominal Output	4,9 kW
Output Range	1,5 – 7 kW
Mean CO Emission (ppm O ₂)	610 %
Mean PM ₁₀ Emission (ppm O ₂)	22 mg/m ³
Mean NO _x Emission (ppm O ₂)	22 mg/m ³
Mean ODC Emission (ppm O ₂)	60 mg/m ³
Flue Gas Mass Flow	4,3 g/s
Flue Gas Temperature	387 °C
Typical fuel load for nominal rated output per hour (kg/h / Kg)	115 (seasonal burnback)

We recommend this appliance is installed with a clearance of 100mm to non-combustible masonry. For installation and operating instructions for this stove see the data online at www.ardcofireplaces.com.

Product Fiche

Supplier name	Arada
Product Code	M00001-0006
Energy Efficiency Class (wood)	A+
Direct Heat Output (wood)	4,9 Kw
Indirect Heat Output (wood)	0/0 A
Energy Efficiency Index (wood)	100,0
The useful energy efficiency at nominal heat output and at minimum load (wood)	81,5 %

Specific precautions that shall be taken when the local space heater is assembled, installed or maintained:

Product should be installed in accordance with local building regulations. Appliance will become very hot during use.

Features

Fluefuel	No
Stove body type	Free standing
Eco-design Ready	Yes
Suitable for smoke control areas	Yes
Suitable for direct air connection	Yes
Suitable for non-combustible floor hearth	Yes
Weight gross (packed kg)	52 kg
Weight net (unpacked kg)	47 kg

Minimum distance to combustibles

	A	B	C
Rear	650 mm	350 mm	150 mm
Side	350 mm	400 mm	310 mm
Max hearth temp	99 °C	99 °C	99 °C

A = Single Wall of Flue, without Rear Heat Shield fitted

B = Single Wall of Flue, with Rear Heat Shield fitted

C = Twin Wall of Flue, with Rear Heat Shield fitted

Direct air spigot location

When viewing the rear side of stove

Spigot diameter	100 mm
Height from floor	165 mm
Lateral position	Centre



Features

The Ecoburn range comprises three models each featuring the latest and best new Arada heating technology that combines a traditional stove appearance with Ecodesign Ready credentials.

- 4.9kW heat output
- Ecodesign 2022
- Burns wood or solid fuel
- Lifetime guarantee
- Top or rear 5" flue outlet
- Direct air compatible

Dimensions

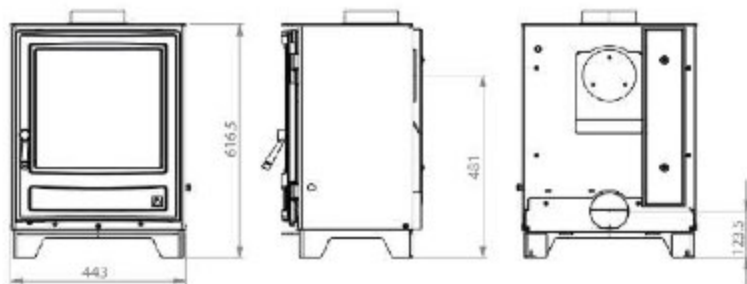
Width	453mm
Height	617mm
Depth	404mm
Ideal log length	300mm

Full specs overleaf



Optional Extras: Safety Handle / Rear Heat Shield / Direct Air Kit

Ecoburn 5 (Series 3)



Dimensions

Width (inc. handle control)	443 mm
Height	617 mm
Depth	404 mm
Flue Diameter	127 mm
Depth from back to centre of top flue	134 mm
Height to centre of rear flue	481 mm
Ideal log length / diameter	300 mm / 100 mm

Features

Stove body type	Free-standing
Installation Ready	Yes
Suitable for smoke control areas	Yes
Suitable for direct air connection	Yes
Suitable for non-combustible 12mm hearth	Yes
Weight gross (packed log)	21.5 Kg
Weight net (unpacked log)	26.5 Kg

Performance

	Wood Fuel	Solid Fuel
Energy Efficiency Class	A	D
Nett. Efficiency	79.8 %	83.8 %
Nominal Output	4.9 kW	4.5 kW
Output Range	4.2 - 5.5 kW	
Mean CO Emission (Ø13% O ₂)	0.11 %	0.1 %
DRB particulate	27 Mg/m ³	15 Mg/m ³
Mean NO _x Emission (Ø13% O ₂)	55 Mg/m ³	94 Mg/m ³
Mean COC Emission (Ø13% O ₂)	60 Mg/m ³	26 Mg/m ³
Flue Gas Mass Flow	4.7 g/s	3.5 g/s
Flue Gas Temperature	255 °C	250 °C
Typical Fuel load for nominal rated output per hour (kW/h):	1.12 (Seasonal hardwood)	0.09 (MS - soft pine)

Minimum distance to combustibles

	A	B	C
Roof	200 mm	250 mm	25 mm
Side	380 mm	525 mm	550 mm
Max hearth temp.	53.0 °C	51 °C	50.0 °C

A = Single-Walled Flue, without Fire Heat Shield fitted
 B = Single-walled Flue with Fire Heat Shield fitted
 C = Twin-Walled Flue, with Fire Heat Shield fitted

Direct air spigot location

(When viewing the rear side of the stove)

Horizontal position	Centre
Distance from floor to centre	123.5 mm

We recommend this appliance is installed with clearance of 100mm to non-combustible materials. Installation and operating instructions for this stove are available online at www.ecoburns.com.



Features

The Ecoburn range comprises three models each featuring the latest and best new Arada heating technology that combines a traditional stove appearance with Ecodesign Ready credentials.

- 4.9kW heat output
- Ecodesign 2022
- Burns wood or solid fuel
- Lifetime guarantee
- Top or rear 5" flue outlet
- Direct air compatible

Dimensions

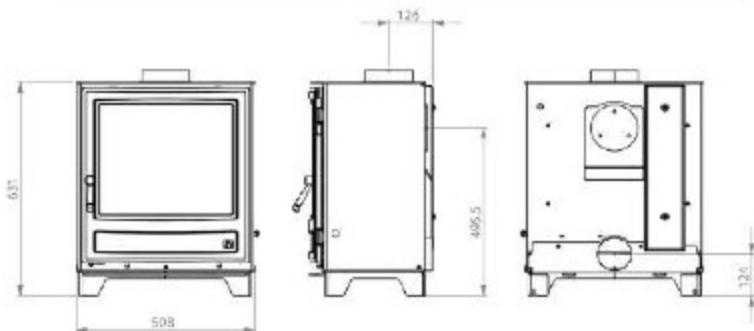
Width	518mm
Height	631mm
Depth	404mm
Ideal log length	375mm

Full specs overleaf



Optional Extras: Safety Handle / Rear Heat Shield / Direct Air Kit

Ecoburn 5 Widescreen (Series 3)



Dimensions

Width (inc. handle control)	518 mm
Height	631 mm
Depth	406 mm
Rue Diameter	127 mm
Depth from back to centre of top flue	134 mm
Height to centre of rear flue	496 mm
Steel leg length / diameter	375 mm x 100 mm

Features

Stove body type	freestanding
Ecodesign ready	Yes
Suitable for smoke control areas	Yes
Suitable for direct air connection	Yes
Suitable for non-combustible 12mm hearth	Yes
Weight gross (packed leg)	83 Kg
Weight net (unpacked leg)	68 Kg

Performance

	Wood Fuel	Solid Fuel
Energy Efficiency Class	A+	E
Nett. Eff. (dry)	81.5 %	75.5 %
Nominal Output	4.9 kW	4.3 kW
Output Range	3.9 - 5.9 kW	
Mean CO Emission (80% O ₂)	0.10 %	0.29 %
DN ₁₀ particulate	22 mg/dm ³	9.9 mg/dm ³
Mean NO _x Emission (80% O ₂)	82 mg/dm ³	102 mg/dm ³
Mean COC Emission (80% O ₂)	68 mg/dm ³	15 mg/dm ³
Flue Gas Mass flow	4.1 g/s	4.2 g/s
Flue Gas temperature	257 °C	281 °C
Typical Fuel load for nominal rated output per hour (kW/kg)	1.15 (Seasonal hardwood)	0.75 (MS/ Metalfuel)

Minimum distance to combustibles

	A	B	C
Rear	600 mm	300 mm	50 mm
Side	490 mm	450 mm	250 mm
Max hearth temp	87 °C	40.4 °C	21.3 °C

A = Single Walled Flue, with or without Rear Heat Shield fitted
 B = Single Walled Flue, with Rear Heat Shield fitted
 C = Twin Walled Flue, with Rear Heat Shield fitted

Direct air spigot location

(when viewing the rear side of the stove)

Horizontal position	Centre
Distance from face to centre	124 mm

We recommend this appliance is installed with clearance of 100mm to non-combustible materials. Installation and operating instructions for this stove are available online at www.ecoburn.com



Features

The Ecoburn range comprises three models each featuring the latest and best new Arada heating technology that combines a traditional stove appearance with Ecodesign Ready credentials.

- 7kW heat output
- Ecodesign 2022
- Burns wood or solid fuel
- Lifetime guarantee
- Top or rear 5" flue outlet
- Direct air compatible

Dimensions

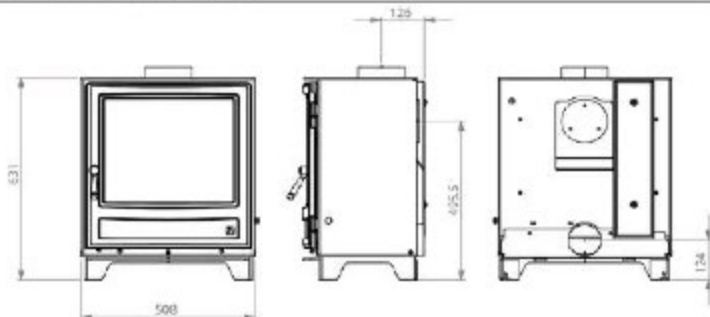
Width	513mm
Height	631mm
Depth	404mm
Ideal log length	375mm

Full specs overleaf



Optional Extras: Safety Handle / Rear Heat Shield / Direct Air Kit

Ecoburn 7 (Series 3)



Dimensions

Width inc. riddle control	518 mm
Height	631 mm
Depth	475.5 mm
Flue Diameter	127 mm
Depth from back to centre of top flue	134 mm
Height to centre of rear flue	495 mm
Ideal log length/diameter	375mm/100mm

Features

Stove body type	freestanding
Ecodesign Ready	Yes
Suitable for smoke control areas	Yes
Suitable for direct air connection	Yes
Suitable for non-combustible 12mm hearth	Yes
Weight gross (packed) kg	92 Kg
Weight net (unpacked) kg	87 Kg

Performance

	Wood Fuel	Solid Fuel
Energy Efficiency Class	A	C
Net Efficiency	79.9 %	81.2 %
Nominal Output	7.0 kW	7.1 kW
Output Range	5.1 - 7.7 kW	
Mean CO Emission (ppm CO)	9.09 %	9.18 %
(3%+ particulate)	81 mg/m ³	93 mg/m ³
Mean NOx Emission (ppm NO _x)	162 mg/m ³	116 mg/m ³
Mean DGC Emission (ppm CO)	72 mg/m ³	39 mg/m ³
Flue Gas Mass Flow	5.6 g/s	5.6 g/s
Flue Gas Temperature	310 °C	271 °C
Typical Fuel load for nominal rated output per hour (kg/h) (kg/100kWh)	1.55 (Seasoned hardwood)	1.81 (BRF Max/Min)

Minimum distance to combustibles

	A	B	C
Rear	470 mm	350 mm	100 mm
Side	800 mm	800 mm	500 mm
Max. hearth temp	46 °C	41.4 °C	21.1 °C

A = Single Walled Flue, w/ Front Rear Heat Shield fitted
 B = Single Walled Flue, with Rear Heat Shield fitted
 C = Twin Walled Flue, with Rear Heat Shield fitted

Direct air spigot location

(when viewing the rear side of the stove)

Horizontal position	Centre
Distance from floor to centre	124 mm

We recommend this appliance is installed with clearance of 100mm to non-combustible materials. Installation and operating instructions for this stove are available online at www.arabstoves.com.



Features

Available in 4.9kW and 7kW outputs, and also a 4.9kW Widescreen option with large door glass with a beautiful flame view. Regardless of which option you choose, each model is a stylish and easy-to-use heating companion for the home.

- 4.9kW heat output
- Ecodesign 2022
- Burns wood or solid fuel
- Lifetime guarantee
- Top or rear 5" flue outlet
- Direct air compatible

Dimensions

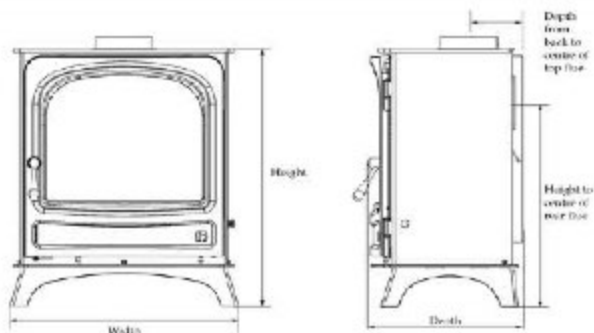
Width	485mm
Height	650mm
Depth	388mm
Ideal log length	300mm

Full specs overleaf



Optional Extras: Multi fuel kit / Rear heat shield / Direct air adaptor

Holborn 5



Dimensions

Width	485 mm
Height	650 mm
Depth	388 mm
Rear Diameter	127 mm
Depth from back to centre of top flue	134 mm
Height to centre of rear flue	512 mm
Ideal log length / diameter	800mm / 100mm

Performance

	Wood Fuel	Solid Fuel
Energy Efficiency Class	A	D
Net Efficiency	79.8%	62.9%
Nominal Output	4.9 kW	4.9 kW
Output Range	~4.2 - 5.5 kW	
Mean CO Emission (@13% O ₂)	0.11%	0.1%
DN- particulate	27 mg/m ³	10 mg/m ³
Mean NOx Emission (@13% O ₂)	95 mg/m ³	96 mg/m ³
Mean OGC Emission (@13% O ₂)	85 mg/m ³	28 mg/m ³
Flue Gas Moist Flow	4.7 g/s	3.5 g/s
Flue Gas Temperature	293 °C	254°C
Typical Fuel load for nominal rated output per hour (average)	1.12 Seasoned Hardwood	0.25 (HSF Hardwood)

Note: Solid fuel log (as indicated with optional solid fuel kit installed).

Direct air spigot location

(When viewing the rear side of the stove)

Distance from right hand side to centre	219 mm
Distance from flue to centre	106 mm

ST02A-H11-00000

Features

Stove body type	Freestanding
Ecodesign Ready	Yes
Suitable for smoke control areas	Yes
Suitable for direct air connection	Yes
Suitable for non-combustible 32mm hearth	Yes
Weight gross (locked log)	81.5 Kg
Weight net (unpacked log)	76.5 kg

Minimum distance to combustibles

	A	B	C
Rear	250 mm	330 mm	75 mm
Side	550 mm	575 mm	500 mm
Max hearth temp.	51 °C	52 °C	51 °C

A = Single Walled Flue, without Rear Heat Shield fitted
 B = Single Walled Flue, with Rear Heat Shield fitted
 C = Twin Walled Flue, with Rear Heat Shield fitted

We recommend this appliance is installed with clearance of 100mm to non-combustible materials. Installation and operating instructions for this stove are available online at www.2pacaloves.com.

1_Holborn 22



Features

Available in 4.9kW and 7kW outputs, and also a 4.9kW Widescreen option with large door glass with a beautiful flame view. Regardless of which option you choose, each model is a stylish and easy-to-use heating companion for the home.

- 4.9kW heat output
- Ecodesign 2022
- Burns wood or solid fuel
- Lifetime guarantee
- Top or rear 5" flue outlet
- Direct air compatible

Dimensions

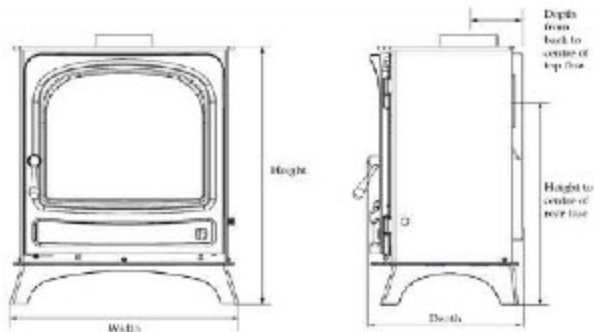
Width	550mm
Height	665mm
Depth	388mm
Ideal log length	375mm

Full specs overleaf



Optional Extras: Multi fuel kit / Rear heat shield / Direct air adaptor

Holborn 5 Widescreen



Dimensions

Width	550 mm
Height	665 mm
Depth	388 mm
Flue Diameter	127 mm
Depth from back to centre of top flue	134 mm
Height to centre of rear flue	526 mm
Ideal log length / diameter	375mm / 100mm

Features

Stove body type	Freestanding
Erosion Ready	Yes
Suitable for smoke control areas	Yes
Suitable for direct air connection	Yes
Suitable for non-combustible 12mm hearth	Yes
Weight gross (packed log)	93 Kg
Weight net (unpacked log)	85 Kg

Performance

	Wood Fuel	Solid Fuel
Energy Efficiency Class	A	D
Net Efficiency	81.3%	79.9%
Nominal Output	4.9 kW	4.9 kW
Output Range	1.9 - 9.9 kW	
Mean CO Emission (@13% O ₂)	0.1%	0.09%
CO ₂ particulate	22 mg/m ³	2 mg/m ³
Mean NO _x Emission (@13% O ₂)	82 mg/m ³	102 mg/m ³
Mean OGC Emission (@13% O ₂)	63 mg/m ³	10 mg/m ³
Flue Gas Mass Flow	4.1 g/s	4.2 g/s
Flue Gas Temperature	297 °C	281 °C
Typical fuel load for nominal rated output per hour (average)	1.15 Seasoned hardwood	6.73 (WPF Manufacture)

Note: Solid fuel figures achieved with optional solid fuel kit installed.

Direct air spigot location

(when viewing the rear side of the stove)

Lateral position	Centre
Distance from Flue to centre	124.5 mm

Minimum distance to combustibles

	A	B	C
Rear	650 mm	200 mm	50 mm
Side	450 mm	450 mm	250 mm
Max hearth temp.	86.2 °C	62.4 °C	61.1 °C

A = Single Walled Flue, without Rear Heat Shield fitted
 B = Single Walled Flue, with Rear Heat Shield fitted
 C = Twin Walled Flue, with Rear Heat Shield fitted

We recommend this appliance is installed with clearance of 100mm to non-combustible materials. Installation and operating instructions for this stove are available online at www.prostoves.com.



Features

Available in 4.9kW and 7kW outputs, and also a 4.9kW Widescreen option with large door glass with a beautiful flame view. Regardless of which option you choose, each model is a stylish and easy-to-use heating companion for the home.

- 7kW heat output
- Ecodesign 2022
- Burns wood or solid fuel
- Lifetime guarantee
- Top or rear 5" flue outlet
- Direct air compatible

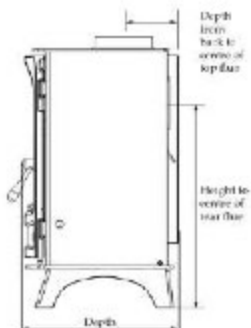
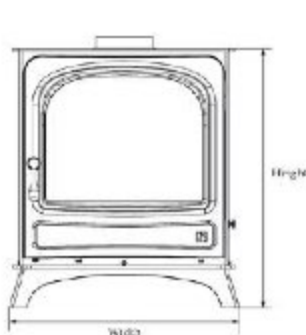
Dimensions

Width	550mm
Height	665mm
Depth	388mm
Ideal log length	375mm

Full specs overleaf



Optional Extras: Multi fuel kit / Rear heat shield / Direct air adaptor



Dimensions

Width	550 mm
Height	665 mm
Depth	388 mm
Flue Diameter	127 mm
Depth from back to centre of top flue	134 mm
Height to centre of rear flue	526 mm
Ideal log length / diameter	375 mm / 100 mm

Performance

	Wood Fuel	Solid Fuel
Energy Efficiency Class	A	D
Net Efficiency	78.2 %	61.2 %
Nominal Output	7 kW	7.1 kW
Output Range	5.1 - 7.7 kW	
Mean CO Emission @13% O ₂	0.09 %	0.11 %
DM ₁₀ particulate	58 mg/m ³	30 mg/m ³
Mean NO _x Emission @13% O ₂	102 mg/m ³	110 mg/m ³
Mean ODC Emission @13% O ₂	22 mg/m ³	20 mg/m ³
Flue Gas Mass flow	5.6 g/s	5.0 g/s
Flue Gas Temperature	310 °C	271 °C
Typical Fuel load for nominal rated output per hour (kW/kg)	1.35 (Seasonal hardwood)	1.01 (OV1 Moisture)

Note: Solid fuel figures achieved with optimal solid fuel in: unpacked.

Direct air spigot location

When clearing the rear side of the stove:

Lateral position	Centre
Distance from floor to centre	123.5 mm

Features

Stove body type	Free-standing
Ecodesign Ready	Yes
Suitable for smoke control areas	Yes
Suitable for direct air connection	Yes
Suitable for non-combustible 12mm hearth	Yes
Weight gross (packed kg)	92 Kg
Weight net (unpacked kg)	87 Kg

Minimum distance to combustibles

	A	B	C
Rear	650 mm	350 mm	100 mm
Side	600 mm	600 mm	500 mm
Max hearth temp.	95 °C	61.9 °C	71.3 °C

A = Single Walling Flue, with Rear Heat Shield fitted

B = Single Walling Flue, with Rear Heat Shield fitted

C = Twin Walling Flue, with Rear Heat Shield fitted

We recommend this appliance is installed with clearance of

100mm to non-combustible materials.

Installation and operating instructions for this stove are available online at www.enrwooden.com.



Features

The humble size of this 4.4 kW stove makes it ideal for installation not just in the home but also smaller living spaces such as a canal boat or shepherd hut. Its multi fuel function will let you burn seasoned wood or solid smokeless fuel and is very easy to control.

- 4.6kW heat output
- Ecodesign 2022
- Burns wood or solid fuel
- 10 year guarantee
- Top or rear 5" flue outlet

Dimensions

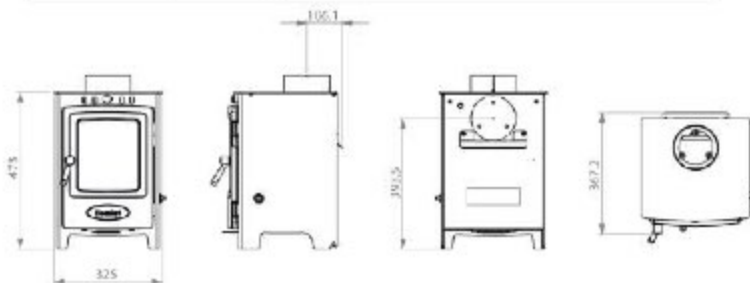
Width	334mm
Height	473mm
Depth	387mm
Ideal log length	200mm

Full specs overleaf



Optional Extras: Safety Handle / Rear heat shield / Direct air connection

Solution 4 (Series 4)



Dimensions

Width (inc. access energy and riddle board)	324 mm
Height	475 mm
Depth	297 mm
Flye Diameter	127 mm
Depth from back to centre of top flye	90 mm
Height to centre of rear flye	393.5 mm
Ideal top length / diameter	200mm / 100mm

Features

Stove body type	Free-standing
Ecodesign Ready	Yes
Suitable for smoke control areas	Yes
Suitable for direct air connection	Yes*
Suitable for non-combustible 12mm hearth	Yes
Weight gross (packed kg)	62 kg
Weight net (unpacked kg)	58 kg

Performance

	Wood Fuel	Solid Fuel
Energy Efficiency Class	A+	B
Net Efficiency	83.1 %	75.2 %
Nominal Output	4.6 kW	4.4 kW
Output Range	3.5 - 6 kW	
Mean CO emission (M1.5% CO ₂)	0.10 %	0.11 %
D.Nr particulate	29 mg/m ³	36 mg/m ³
Mean NOx emission (M1.3% CO ₂)	112 mg/m ³	158 mg/m ³
Mean DOC emission (M1.3% CO ₂)	91 mg/m ³	45 mg/m ³
Flye Gas Mass Flow	4.1 g/s	3.8 g/s
Flye Gas Temperature	223 °C	300 °C
Typical fuel load for nominal rated output per hour (kWh/kg)	0.96 (Seasonal hardwood)	0.70 (MSF Maxibrite)

Minimum distance to combustibles

	A	B	C
Rear	650 mm	375 mm	295 mm
Side	650 mm	590 mm	650 mm
Max. hearth temp.	92 °C	92 °C	10 °C

A = Single Walled Flye, without Rear Heat Shield fitted
 B = Single Walled Flye, with Rear Heat Shield fitted
 C = Triple Walled Flye, with Rear Heat Shield fitted

Direct air spigot location

When viewing the rear side of the stove

Horizontal position	Centre
Distance from floor to centre	784 mm

We recommend the appliance is installed with clearance of 100mm to non-combustible materials. Installation and operating instructions for this stove are available online at www.andertons.com

* Note: The optional direct air adaptor for this model is not room-sealed and should not be installed on a stove in an airtight property.



Features

The Solution range combines a traditional stove appearance with Ecodesign Ready credentials. Its multi fuel function will let you burn seasoned wood or solid smokeless fuel and is very easy to control.

- 4.8kW heat output
- Ecodesign 2022
- Burns wood or solid fuel
- 10 year guarantee
- Top or rear 5" flue outlet

Dimensions

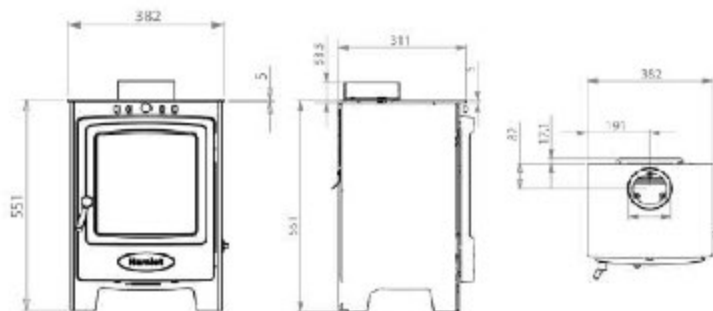
Width	397mm
Height	551mm
Depth	387mm
Ideal log length	200mm

Full specs overleaf



Optional Extras: Safety Handle / Rear heat shield / Direct air connection

Solution 5 Compact (Series 4)



Dimensions

Width inc. riddling control	397 mm
Height	551 mm
Depth	387 mm
Rear Diameter	127 mm
Depth from back to centre of top flue	87 mm
Height to centre of rear flue	448 mm
Flue leg length / diameter	200 mm / 100 mm

Features

Stove body type	Freestanding
Erodesign Ready	Yes
Suitable for remote control valves	Yes
Suitable for direct air connection	Yes*
Suitable for non-combustible 12mm hearth	Yes
Weight gross (packed top)	63 Kg
Weight net (assembled leg)	59 kg

Performance

	Wood Fuel	Solid Fuel
Energy Efficiency Class	A	B
Net Efficiency	81 %	79.9 %
Maximal Output	4.8 kW	4.5 kW
Output Range	1.9 - 6.1 kW	
Mean CO Emission (@13% O ₂)	0.12 %	0.12 %
PM ₁₀ particulate	11 mg/m ³	16 mg/m ³
Mean NO _x Emission (@13% O ₂)	67 mg/m ³	108 mg/m ³
Mean OGC Emission (@13% O ₂)	72 mg/m ³	56 mg/m ³
Flue Gas Mass Flow	3.9 g/s	3.5 g/s
Flue Gas Temperature	259 °C	275 °C
Typical fuel load for nominal rated output per hour (gross)	1.10 (seasoned hardwood)	0.75 (soft wood)

Direct air spigot location

(when viewing the rear side of the stove)

Horizontal position	Centre
Distance from floor to centre	738 mm

Minimum distance to combustibles

	A	B	C
Rear	700 mm	420 mm	250 mm
Side	500 mm	230 mm	150 mm
Max. hearth temp.	53.9 °C	30 °C	90 °C

A = Single Walled Flue, without Rear Heat Shield fitted
 B = Single Walled Flue, with Rear Heat Shield fitted
 C = Twin Walled Flue, with Rear Heat Shield fitted

We recommend this appliance is installed with clearance of 100mm to non-combustible materials. Installation and operating instructions for this stove are available online at www.stoveaction.com

* Note: The optional direct air adaptor for this model is not recommended and should not be installed on a stove in an airtight property.



Features

Available in 4.9kW and 7kW outputs, and also a 4.9kW Widescreen option with large door glass with a beautiful flame view. Regardless of which option you choose, each model is a stylish and easy-to-use heating companion for the home.

- 4.9kW heat output
- Ecodesign 2022
- Burns wood or solid fuel
- 10 year guarantee
- Top or rear 5" flue outlet

Dimensions

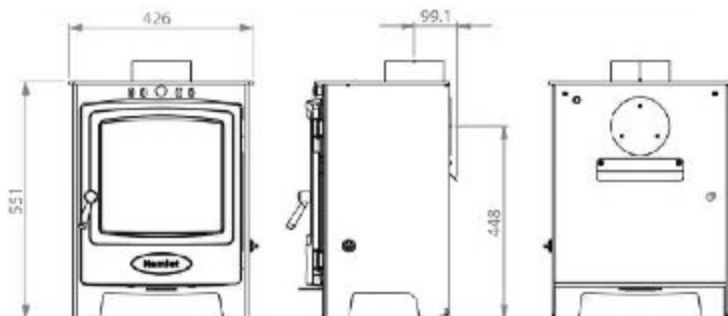
Width	436mm
Height	551mm
Depth	387mm
Ideal log length	300mm

Full specs overleaf



Optional Extras: Safety Handle / Rear heat shield / Direct air connection

Solution 5 (Series 4)



Dimensions

Width (inc. handle control)	426 mm
Height	551 mm
Depth	387 mm
Flue Diameter	127 mm
Depth from back to centre of top flue	82 mm
Height to centre of rear flue	448 mm
Ideal log length / diameter	100mm / 100mm

Performance

	Wood fuel	Solid fuel
Energy Efficiency Class	A	E
Net efficiency	80.5 %	75.7 %
Nominal Output	4.5 kW	4.3 kW
Output Range	4.4 - 5.2 kW	
Mean CO Emission (Ø1.2% O ₂)	0.09 %	0.11 %
OP ₄ particulate	27 mg/m ³	29 mg/m ³
Mean NO _x Emission (Ø1.2% O ₂)	130 mg/m ³	142 mg/m ³
Mean O ₂ Emission (Ø1.2% O ₂)	62 mg/m ³	44 mg/m ³
Flue Gas Mass Flow	4.0 g/s	3.8 g/s
Flue Gas Temperature	343 °C	275 °C
Typical Fuel load for nominal rated output per hour (avg)	1.10 Greened hardwood	0.75 Hardwood

Direct air spigot location

(when viewing the rear side of the stove)

Horizontal position	Centre
Distance from floor to centre	750 mm

Features

Stove body type	Free-standing
Loadable Ready	Yes
Suitable for smoke control areas	Yes
Suitable for direct air connections	Yes *
Suitable for non-combustible 12mm hearth	Yes
Weight gross (packed kg)	68.5 kg
Weight net (unpacked kg)	62 kg

Minimum distance to combustibles

	A	B	C
Front	750 mm	300 mm	300 mm
Side	550 mm	250 mm	550 mm
Max hearth temp.	34 °C	56 °C	58 °C

A = Single Wall Flue, with our Rear Heat Shield fitted
 B = Single Wall Flue, with our Heat Shield fitted
 C = Twin Wall Flue, with Rear Heat Shield fitted

We recommend this appliance is installed with clearance of 100mm to non-combustible materials. Installation and operating instructions for this stove are available online at www.atastoves.com

* Note: The optional direct air adaptor for this model is not room-sealed and should not be installed on a stove in an airtight property.



Features

Ecodesign Ready and with a classic look. This inset-bodied stove is multi fuel allowing you to burn seasoned wood or solid smokeless fuel. The Solution 5 Inset stove is easy to control and certain to keep your home warm and cosy.

- 5kW heat output
- Ecodesign 2022
- Burns wood or solid fuel
- 10 year guarantee
- 5° flue outlet angle from verticle 30°

Dimensions

Width	517mm
Height	580mm
Depth	469mm
Ideal log length	200mm

Full specs overleaf



Optional Extras: Safety Handle

Solution 5 Inset (Series 4)



Dimensions

Width (across canopy and rubble base)	517 mm
Height	580 mm
Depth (from rear to handle base)	409 mm
Width into opening	384 mm
Height into opening	544 mm
Depth into opening	316 mm
Depth of front fascia	100 mm
Flue diameter	127 mm
Flue Outlet Angle from vertical	30 °
Ideal log length (diameter)	200mm / 100mm

Performance

	Wood Fuel	Solid Fuel
Energy Efficiency Class	A	B
Nett Efficiency	79.9 %	76.5 %
Nominal Output	5 kW	5 kW
Output Range	4.1 - 6.7 kW	
Mean CO Emission (at 12% O ₂)	0.03 %	0.07 %
Dioxin particulate	4 mg/m ³	12 mg/m ³
Mean NO _x Emission (at 12% O ₂)	97 mg/m ³	130 mg/m ³
Mean OGC Emission (at 12% O ₂)	78 mg/m ³	10 mg/m ³
Flue Gas Mass flow	4.1 g/s	4.1 g/s
Flue Gas Temperature	274 °C	327 °C
Typical fuel load for nominal rated output per hour (dry/kg)	1.44 (Seasonal hardwood)	0.78 (US1 Moisture)

Features

Stove body type	Inset
Readydesign Ready	Yes
Suitable for smoke control areas	Yes
Suitable for direct air connection	No
Suitable for non-combustible 32mm hearths	No
Weight gross (packed kg)	89 Kg
Weight net (unpacked kg)	87 Kg

Minimum distance to combustibles

Top	250 mm
Side	175 mm
Max hearth temp.	65 °C

We recommend this appliance is installed with clearance of 100mm to non-combustible materials. Installation and operating instructions for the stove are available online at www.triastoves.com.



Features

Part of the Solution range that combines a traditional stove appearance with Ecodesign Ready credentials. This Windscreen stove has a large door glass with a beautiful flame view. This is a stylish and easy-to-use heating companion for the home.

- 4.9kW heat output
- Ecodesign 2022
- Burns wood or solid fuel
- 10 year guarantee
- Top or rear 5" flue

Dimensions

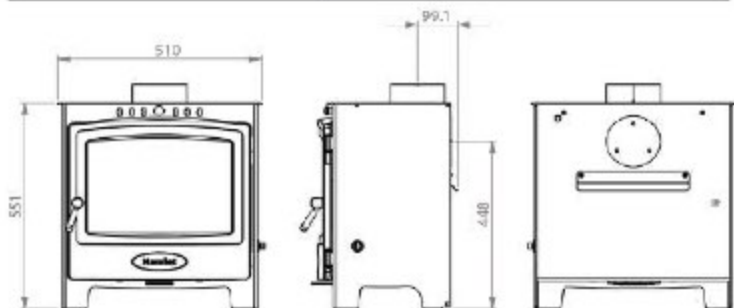
Width	519mm
Height	551mm
Depth	387mm
Ideal log length	330mm

Full specs overleaf



Optional Extras: Safety Handle / Rear heat shield / Direct air connection

Solution 5 Widescreen (Series 4)



Dimensions

Width inc. sliding control	510 mm
Height	551 mm
Depth	387 mm
Rear Diameter	127 mm
Depth from back to centre of top fire	82 mm
Height to centre of rear flue	440 mm
Heat log length / diameter	820 mm / 100mm

Performance

	Wood Fuel	Solid Fuel
Energy Efficiency Class	A+	E
Net Efficiency	82.5 %	79.5 %
Nominal Output	4.9 kW	4.9 kW
Output Range	3.8 - 6.6 kW	
Mean CO Emission (Ø12% O ₂)	0.12 %	0.05 %
DNV+ particulate	1.38 mg/m ³	25.5 mg/m ³
Mean NO _x Emission (Ø12% O ₂)	84 mg/m ³	121 mg/m ³
Mean DGC Emission (Ø12% O ₂)	132 mg/m ³	30 mg/m ³
Rear Gas Moist Flow	4.5 g/s	4.8 g/s
Blue Gas Temperature	240 °C	251 °C
Typical Fuel load for nominal rated output per hour (dry/kg)	1.7 (seasoned hardwood)	0.72 (DVG Medium)

Direct air spigot location

(When viewing the rear side of the stove)

Horizontal position:	Centre
Distance from floor to centre:	TBA mm

Features

Stove body type	Freestanding
Ecodesign Ready	Yes
Suitable for remote control areas	Yes
Suitable for direct air connection	Yes*
Suitable for non-combustible 12mm hearth	Yes
Weight gross (packed) (kg)	95 kg

Minimum distance to combustibles

	A	B	C
Rear	500 mm	450 mm	350 mm
Side	350 mm	350 mm	300 mm
Max. hearth temp.	94 °C	94 °C	94 °C

A = Single Walled Flue, without Rear Heat Shield fitted
 B = Single Walled Flue, with Rear Heat Shield fitted
 C = Twin Walled Flue, with Rear Heat Shield fitted

We recommend this appliance is installed with clearance of 100mm to non-combustible materials. Installation and operating instructions for this stove are available online at www.ered.eu.com

* Note: The optional direct air adaptor for this model is not room-sealed and should not be installed on a stove in an airtight property.



Features

Part of the Solution range that combines a traditional stove appearance with Ecodesign Ready credentials. This large stove has a wide door glass with a beautiful flame view. This is a stylish and easy-to-use heating companion for the home that is exceptionally great value.

- 7kW heat output
- Ecodesign 2022
- Burns wood or solid fuel
- 10 year guarantee
- Top or rear 5" flue

Dimensions

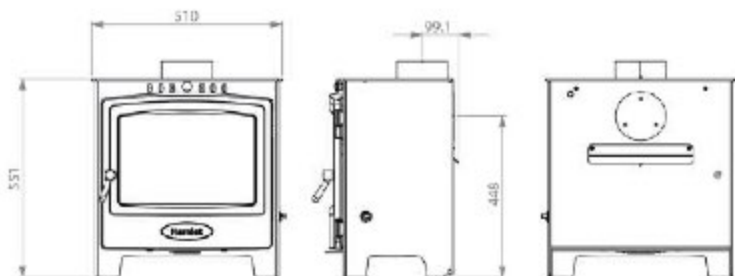
Width	518.5mm
Height	551mm
Depth	387mm
Ideal log length	330mm

Full specs overleaf



Optional Extras: Safety Handle / Rear heat shield / Direct air connection

Solution 7 (Series 4)



Dimensions

Width (inc. side controls)	518.5 mm
Height	551 mm
Depth	99.7 mm
Flue Diameter	127 mm
Depth from back to centre of top flue	82 mm
Height to centre of rear flue	448 mm
Max log length / diameter	530mm / 100mm

Features

Stove body type	Freestanding
Ecodesign Ready	Yes
Suitable for smoke control zones	Yes
Suitable for direct air connection	Yes *
Suitable for non-combustible 12mm bench	Yes
Weight gross (packed) kg	80 Kg

Performance

	Wood Fuel	Solid Fuel
Energy Efficiency Class	A	B
Net Efficiency	77.5%	87.5%
Nominal Output	7.0 kW	7.1 kW
Output Range	5.2 - 8.1 kW	
Mean CO Emission (g/1% O ₂)	0.12%	0.14%
PM ₁₀ particulate	18 mg/m ³	24 mg/m ³
Mean NO _x Emission (g/1% O ₂)	109 mg/m ³	120 mg/m ³
Mean ODC Emission (g/1% O ₂)	107 mg/m ³	92 mg/m ³
Flue Gas Mass Flow	9.7 g/s	8.8 g/s
Flue Gas Temperature	291 °C	325 °C
Typical fuel load for nominal rated output per hour (kW/kg)	1.95 (Seasonal hardwood)	1.6 (Non-Seasonal)

Direct air spigot location

(when viewing the rear side of the stove)

Horizontal position	Centre
Distance from floor to centre	TBA mm

Minimum distance to combustibles

	A	B	C
Flue	650 mm	300 mm	350 mm
Side	650 mm	100 mm	650 mm
Max. hearth temp.	53 °C	50 °C	53 °C

A = Single Walled Flue with/with Flow Heat Shield (Steel)
 B = Single Walled Flue, with Rear Heat Shield (Steel)
 C = Twin Walled Flue, with Rear Heat Shield (Steel)

We recommend this appliance is installed with clearance of 100mm to non-combustible materials. Installation and operating instructions for this stove are available online at www.seasstoves.com.

* Note: The optional direct air adaptor for this model is not room-sealed and should not be installed on a stove in an airtight property.



Features

Ecodesign Ready and with a classic look. This 7.1 kW stove is multi fuel allowing you to burn seasoned wood or solid smokeless fuel and is easy to control. The Solution 7 Inset stove is certain to keep your home warm and cosy.

- 7.1kW heat output
- Ecodesign 2022
- Burns wood or solid fuel
- 10 year guarantee
- 5" flue outlet angle from verticle 30°

Dimensions

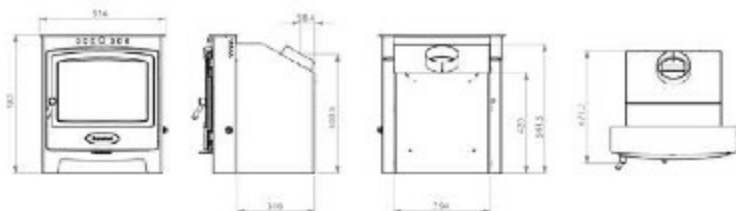
Width	517mm
Height	580mm
Depth	469mm
Ideal log length	300mm

Full specs overleaf



Optional Extras: Safety Handle

Solution 7 Inset (Series 4)



Dimensions

Width (across canopy and side box)	517 mm
Height	660 mm
Depth (from rear to handle box)	459 mm
Width into opening	591 mm
Height into opening	544 mm
Depth into opening	516 mm
Depth of front fascia	100 mm
Fue Diameter	127 mm
Fue Outlet Angle from vertical	32°
Ideal log length / diameter	300mm / 100mm

Minimum distance to combustibles

Top	200 mm
Side	175 mm
Max hearth temp.	70 °C

Features

Stove body type	Free-standing
Ecodesign Ready	YES
Suitable for smoke control areas	Yes
Suitable for direct air connection	No
Suitable for non-combustible 12mm hearth	No
Weight gross (packed kg)	91 Kg
Weight net (unpacked kg)	85 Kg

Performance

	Wood Fuel	Solid Fuel
Energy Efficiency Class	A	B
Net Efficiency	75.4 %	75.6 %
Nominal Output	7.1 kW	7.1 kW
Output Range	5 - 8.1 kW	
Max CO Emission @12% O ₂	0.11 %	0.05 %
DM ₅ particulate	27 mg/m ³	27 mg/m ³
Max NO _x Emission @12% O ₂	90 mg/m ³	109 mg/m ³
Max O ₂ Emission @12% O ₂	90 mg/m ³	90 mg/m ³
Fue Gas Mass Flow	5.71 g/s	6.4 g/s
Fue Gas Temperature	328 °C	332 °C
Typical Fuel load for nominal rated output per hour (working)	1.62 (Seasonal hardwood)	1.68 (DM ₅ Max 10%)

We recommend this appliance is installed with distance of 100mm to non-combustible materials.

Installation and operating instructions for this stove are available online at www.ardestoves.com.

ARADA
— DEVON —

Issue 02 05/24

All images are for illustration purposes only. This range is distributed in Northern Ireland & Ireland by Micon Distribution LTD, www.micon-dist.com