

Nordpeis



Woodburning Stoves & Fires

The Norwegian

Experience...

Designed for Our Environment

State of the Art Technology

Urban Area Approved



* All efficiencies quoted in this brochure are for seasoned wood with a moisture content less than 20%.



WIN the cost of your product back!

by registering your product online for your free extended warranty. See page 41 for more details.

Complete Peace of Mind



Expert Retailer Network

Product Warranty

5

Year
Extended
Warranty



Find Your Retailer



The Nordpeis Range

06 - 27

CONTEMPORARY
STOVES

28 - 33

TRADITIONAL
STOVES

34 - 35

CONTEMPORARY
FIRES & SURROUNDS



ME





























S-31A

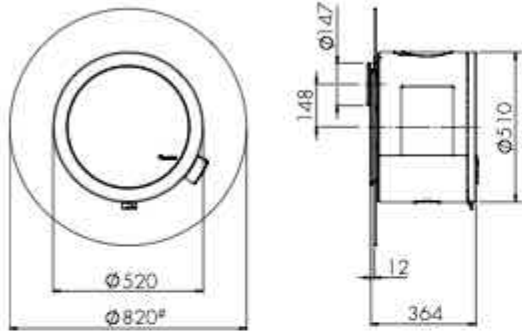
Shown with Odense Surround



Technical Information

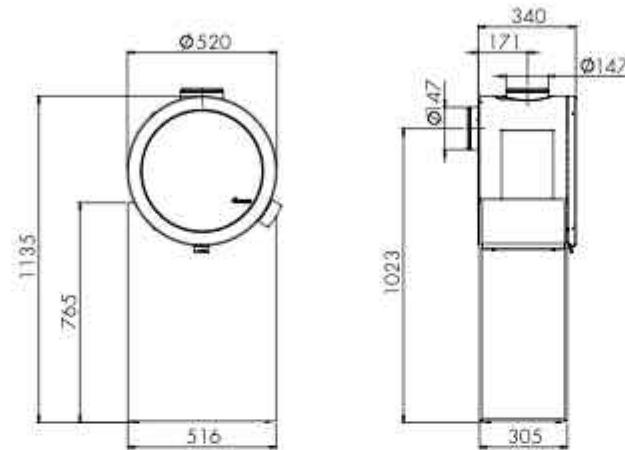
ME - Wall

P 6 - 9



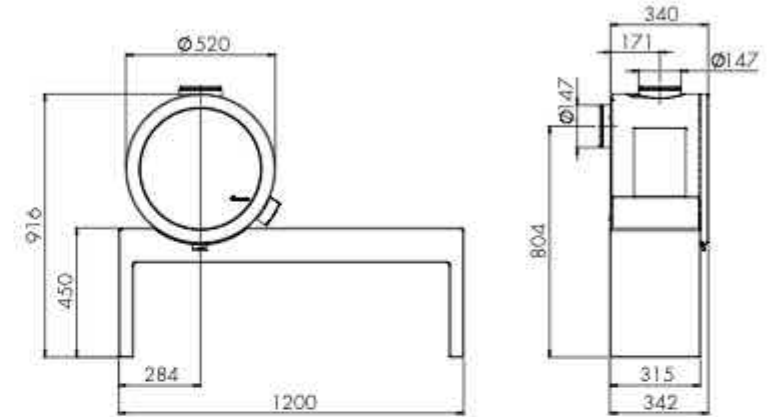
ME - Basic / ME - Steel

P 6 - 9



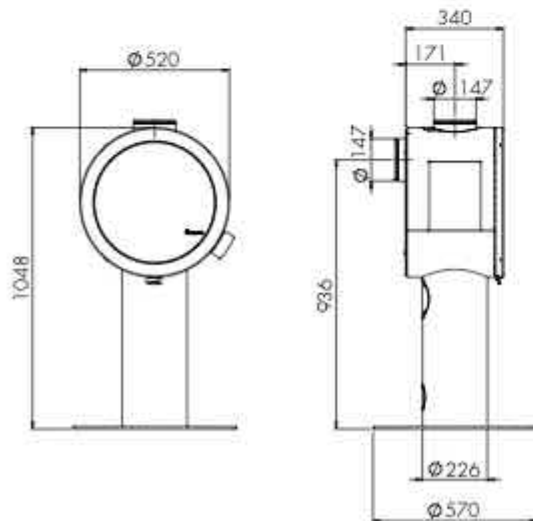
ME - Bench

P 6 - 9



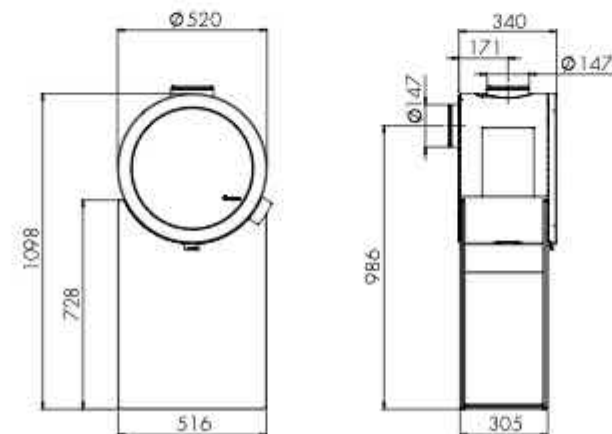
ME - Pedestal

P 6 - 9



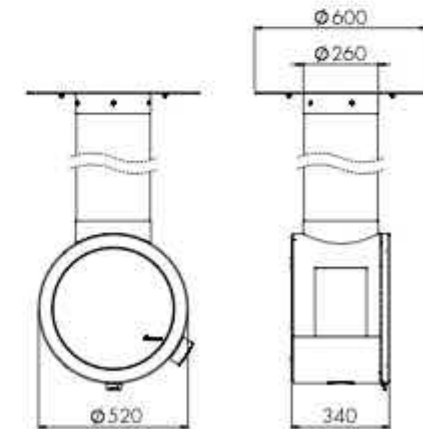
ME - Glass

P 6 - 9



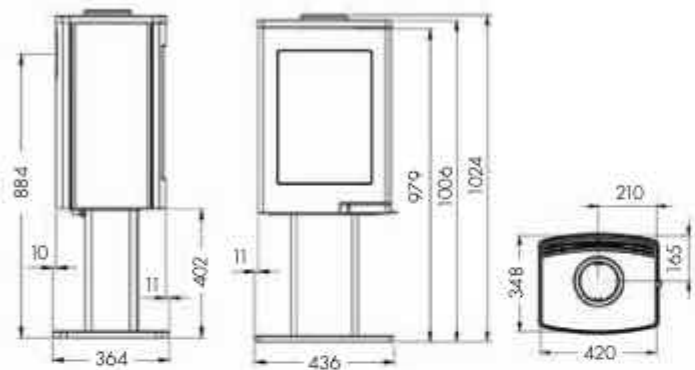
ME - Ceiling

P 6 - 9



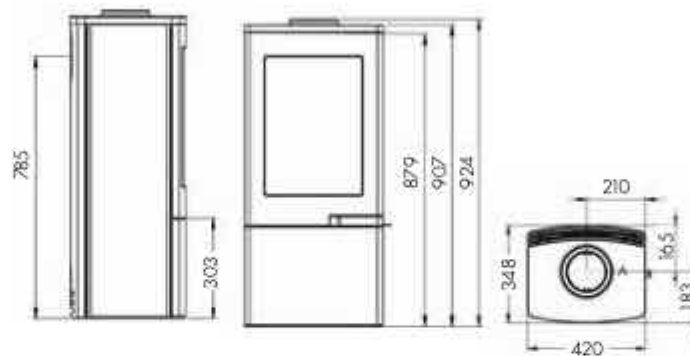
Uno 1

P 10 - 11



Uno 4

P 12 - 13



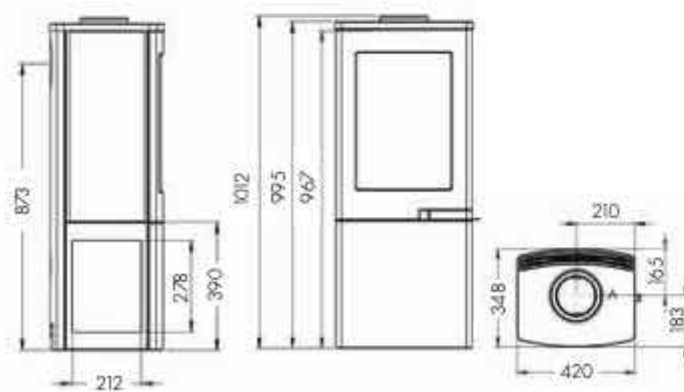
Duo 2

P 16 - 17



Uno 2

P 12 - 13



Duo 1

P 14 - 15



Duo 4

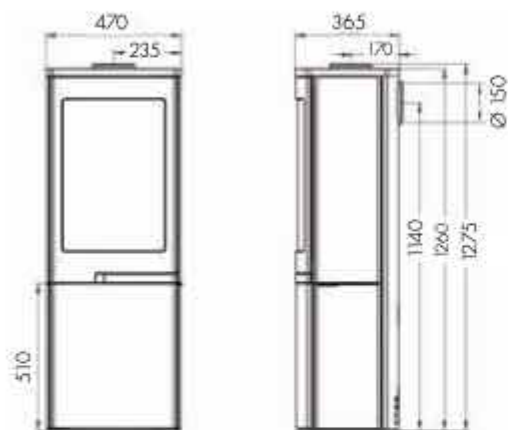
P 18 - 19



Technical Information

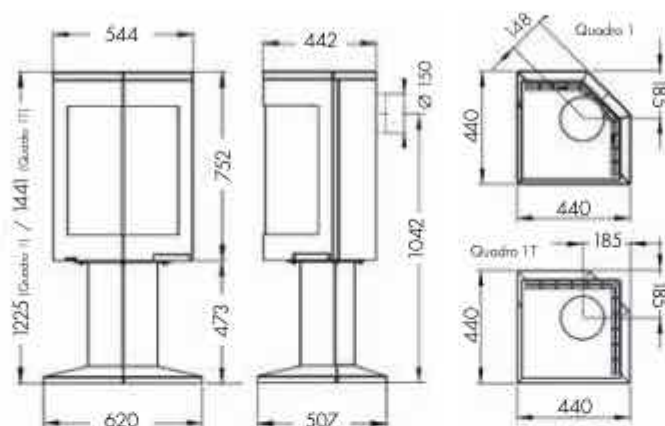
Duo 5

P 20 - 21



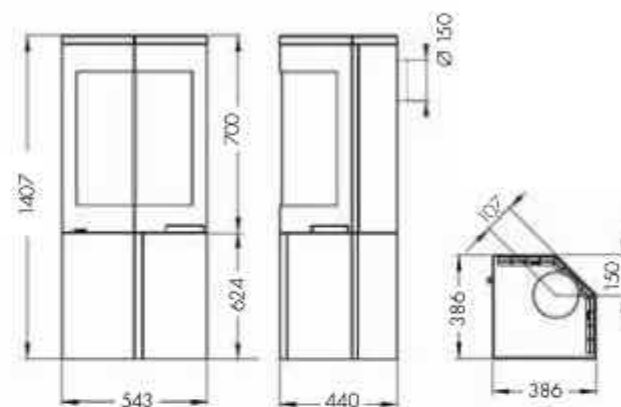
Quadro 1 / 1T

P 22 - 23



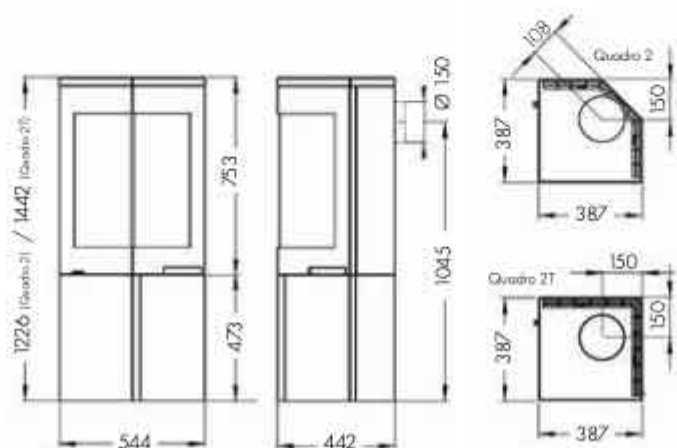
Quadro 2 Colorado

P 24 - 25



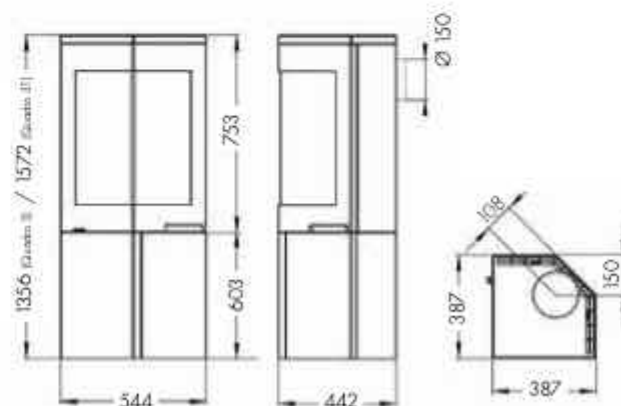
Quadro 2 / 2T

P 24 - 25



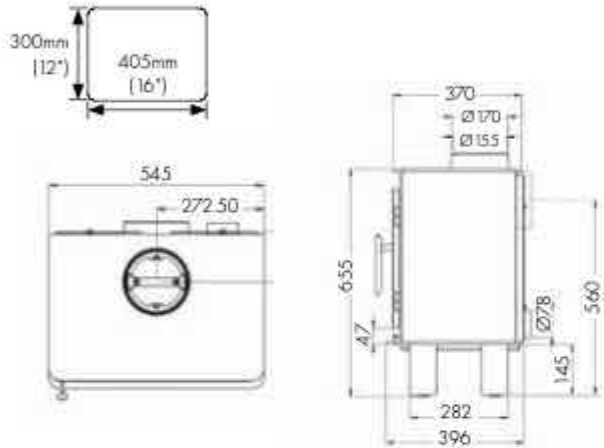
Quadro 3 / 3T

P 26 - 27



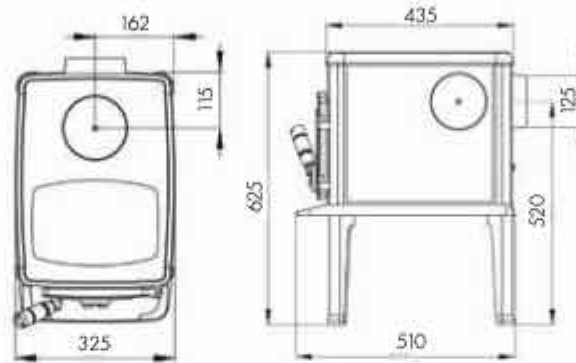
Bergen

P 28 - 29



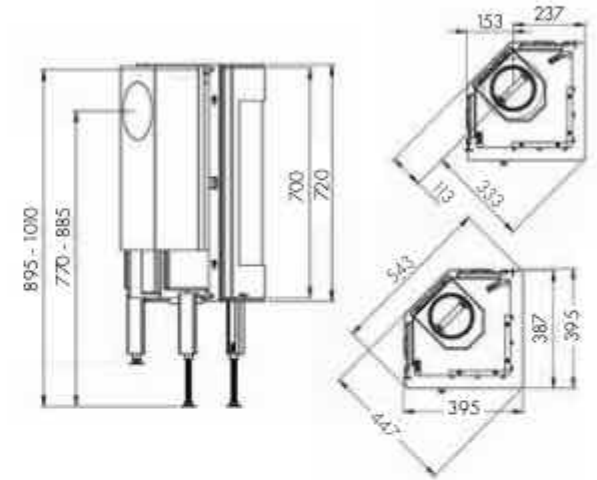
Orion

P 32 - 33



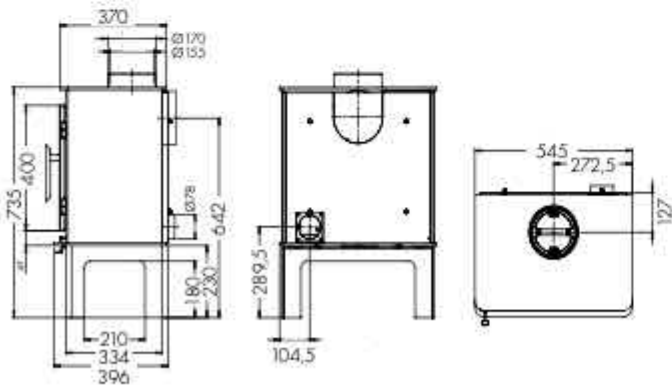
S-31A (for Odense surround)

P 34 - 35



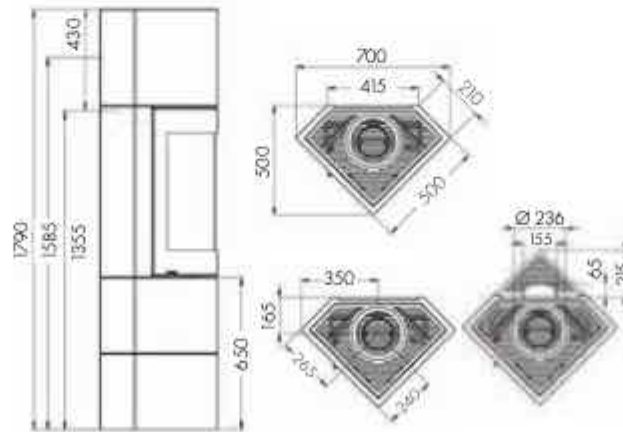
Glasgow

P 30 - 31



Odense Surround

P 34 - 35



Accessories

Care of your Stove or Fireplace



Professional XQ™ Chimney Systems

FOR HOMES
WITHOUT A
CHIMNEY!



10
YEAR

EXTENDED
WARRANTY

WIN

 the cost of your product back!*

For further home inspiration you can view real life installations on the Stovax Customer Showcase page (Nordpeis's distributor in the UK and Republic of Ireland), and share your thoughts and photos of your new stove or fire installation to enter our draw!

- We will publish your entry on our Customer Showcase
- You will be entered into a draw for the chance to win the cost of your product back
- **Gain a second entry** by registering your product online for your free extended warranty at stovax.com/registration



View real life installations and submit your review at
stovax.com/customershowcase

* Terms and conditions apply. See online for details

Further Information



Approved for Smoke
Control Areas

Product Warranty
& Improvement



5

Year
Extended
Warranty

Important Safety &
Technical Information





Nordpeis

United Kingdom & Republic of Ireland distributors for Nordpeis:

Stovax Limited

Spitfire Avenue, Skypark, Clyst Honiton, Exeter, Devon EX5 2FR

UK Trade Sales: 01392 474000

Export Trade Sales Republic of Ireland: 00 44 1392 261990

E-mail: nordpeis@stovax.com

nordpeis.co.uk



Find Your Retailer



Your local Nordpeis retailer:

NORDPEIS0524



© All material copyright Stovax Ltd 2024 E & O E

Paper sourced from sustainable forests and printed using vegetable-based inks